

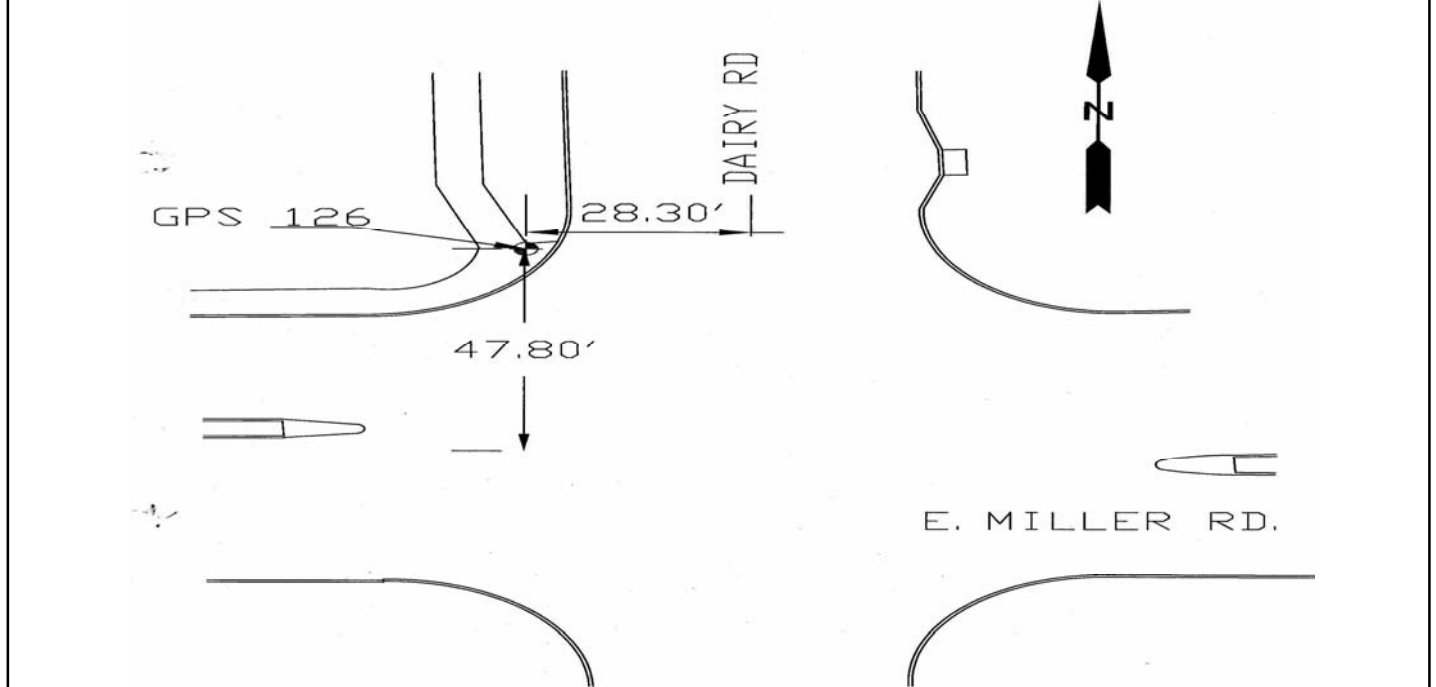
GPS Station Observation Log

Station Designation (Check applicable: <input checked="" type="checkbox"/> GEO. CNTRL. <input type="checkbox"/> Trav. PT. <input type="checkbox"/> BM)		Station PID, if any: GPS 126	DATE: 8/29/2005
Project Name: Geodetic Monument		Project Number: GPS- 126	
NAD83 Latitude: 32 53 39.74865		NAD83 Longitude: 96 37 20.23914	
Observation Session Time		135.643 ft./meters	
Sched. Start: _____ Stop: _____		NAVD88 Orthometric Height	
Actual Start: 7:52 AM Stop: 11:52 AM		161.485 ft./meters	
Epoch Interval = 5 Seconds		GEOID03 Geoid Height	
Elevation Mask = _____ Degrees		ft./meters	
Receiver Brand & Model: Topcon Hiper Lite-Internal Antenna		Comments: 4HRS. STATIC DATA RECORDED.	

Base: <input checked="" type="checkbox"/>	Rover:	NOTE: ELEV. 529.805 IS ORTHO HT. CALC. BY OPUS.
P/N: 01-840802-03	P/N: 01-840802-03	*LEVEL LOOP FROM RM30 ELEV. 529.81 (NAVD 88)
S/N: 263-0243	S/N: 263-0233	
ID: 8QATEMNVCHS	ID: 8OKPW2V2RR4	

** ANTENNA HEIGHT **	Meters	Feet	NAD83 TXNC (4202)
Slant Height to ARP:	1.743	5.72	N = 7013470.24469
			E = 2544797.66302
Vertical Height to ARP:			Z = 529.81*
			CSF = 0.99985507
Meters = Feet x (0.3048) Height Entered into receiver = 1.7099 Meters.	Note: &/or sketch ANY unusual conditions. be Very Explicit as to where and how Measured .		

LOG Checked By:	Data File Name(s):	(standard NGS Format = aaaadds.xxx) aaa=4 character ID, ddd=Day of Year,
-----------------	--------------------	---



GPS 126, 2" BRASS DISK STAMPED 126 IS LOCATED IN THE SIDEWALK ON THE N.W. COR. OF E. MILLER RD. AND DAIRY RD. APPROX. 28.30' W. OF DAIRY RD C/L AND APPROX. 47.80' N. OF THE C/L OF MILLER RD.
 COG MAP GRID I-8MAPSCO 29A-F***

Table of Weather

Problem	Visibility	Temperature	Cloud Cover	Wind
NONE	GOOD	78°	P/CLOUDY	5 - 10 MPH
Any obstructions above 10° ?		(Y / N)	Radio Interference source nearby ?	
			(Y / N)	

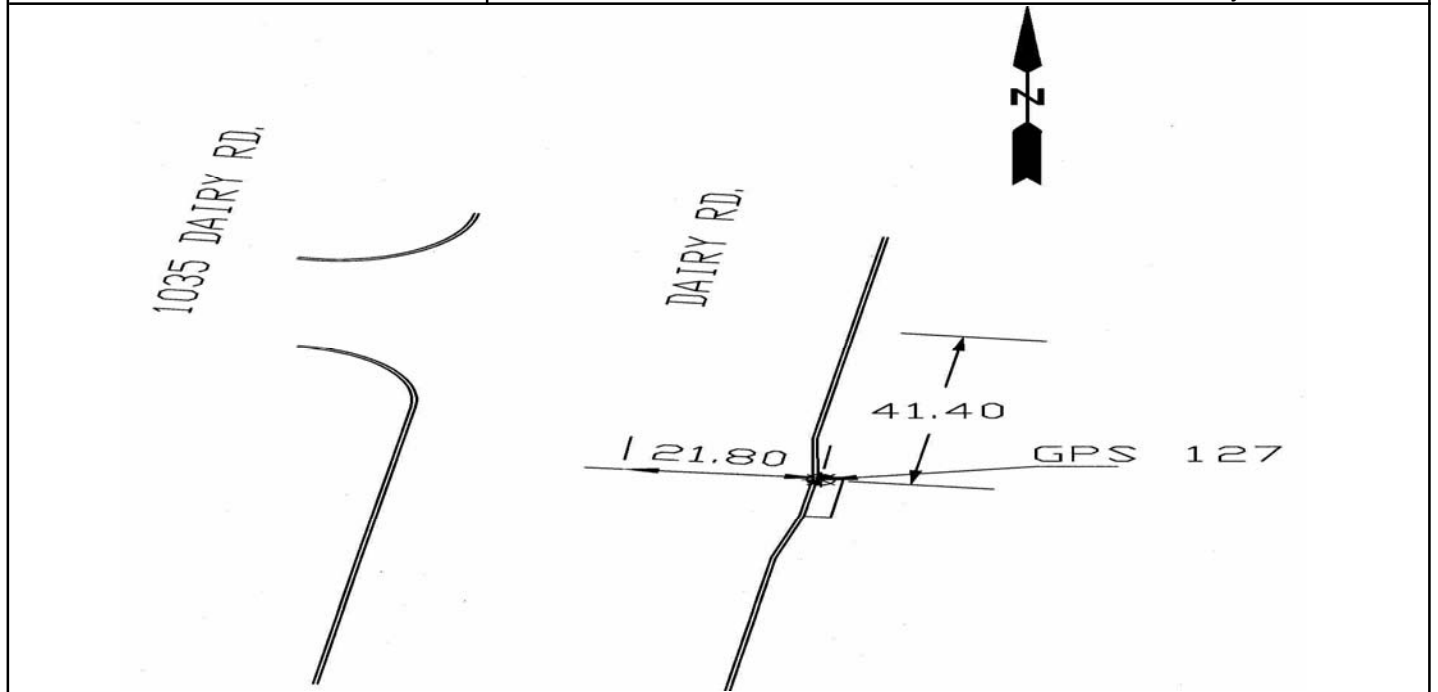
RPLS: GSB P.Chief: TG Field Tech: KW Field Tech: CW

GPS Station Observation Log

Station Designation (Check applicable: <input checked="" type="checkbox"/> GEO. CNTRL. <input type="checkbox"/> Trav. PT. <input type="checkbox"/> BM)		Station PID, if any: GPS 127	DATE: 8/31/2005
Project Name: Geodetic Monument		Project Number: GPS-127	
NAD83 Latitude: 32 54 13.14602		NAD83 Longitude: 96 37 18.46252	
Observation Session Time		132.218 ft./meters	
Sched. Start: _____ Stop: _____		NAVD88 Orthometric Height	
Actual Start: 8:56 AM Stop: 1:02 PM		158.054 ft./meters	
Epoch Interval = 5 Seconds		GEOID03 Geoid Height	
Elevation Mask = _____ Degrees		ft./meters	
Receiver Brand & Model: Topcon Hiper Lite-Internal Antenna		Comments: 4HRS. STATIC DATA RECORDED.	
Base: _____		Rover: <u>X</u>	
P/N: 01-840802-03		P/N: 01-840802-03	
S/N: 263-0243		S/N: 263-0233	
ID: 8QATEMNVCHS		ID: 8OKPW2V2RR4	

** ANTENNA HEIGHT **	Meters	Feet	NAD83 TXNC (4202)
Slant Height to ARP:	1.511	4.96	N = 7016847.47874 E = 2544888.77504
Vertical Height to ARP:			Z = 518.577* CSF = 0.99985518
Meters = Feet x (0.3048) Height Entered into receiver = 1.4783 Meters.	Note: &/or sketch ANY unusual conditions. be Very Explicit as to where and how Measured .		

LOG Checked By: _____	Data File Name(s): _____ (standard NGS Format = aaaadds.xxx) aaa=4 character ID, ddd=Day of Year,
-----------------------	---



GPS 127, 2" BRASS DISK STAMPED 127 IS LOCATED ON E. SIDE OF DAIRY RD. APPROX. 41.40' SOUTH OF THE ENTRANCE TO FIRST HISPANIC ASAMBLEA DE DIOS @ 1035 DAIRY RD. AND APPROX. 21.80' E. OF C/L OF DAIRY RD. ***COG MAP GRID I-8***MAPSCO 29A-B***

Table of Weather

Problem	Visibility	Temperature	Cloud Cover	Wind
NONE	GOOD	80°	CLEAR	5 - 10 MPH
Any obstructions above 10° ?		(Y / N)	Radio Interference source nearby ? (Y / N)	

RPLS: GSB P.Chief: TG Field Tech: KW Field Tech: CW

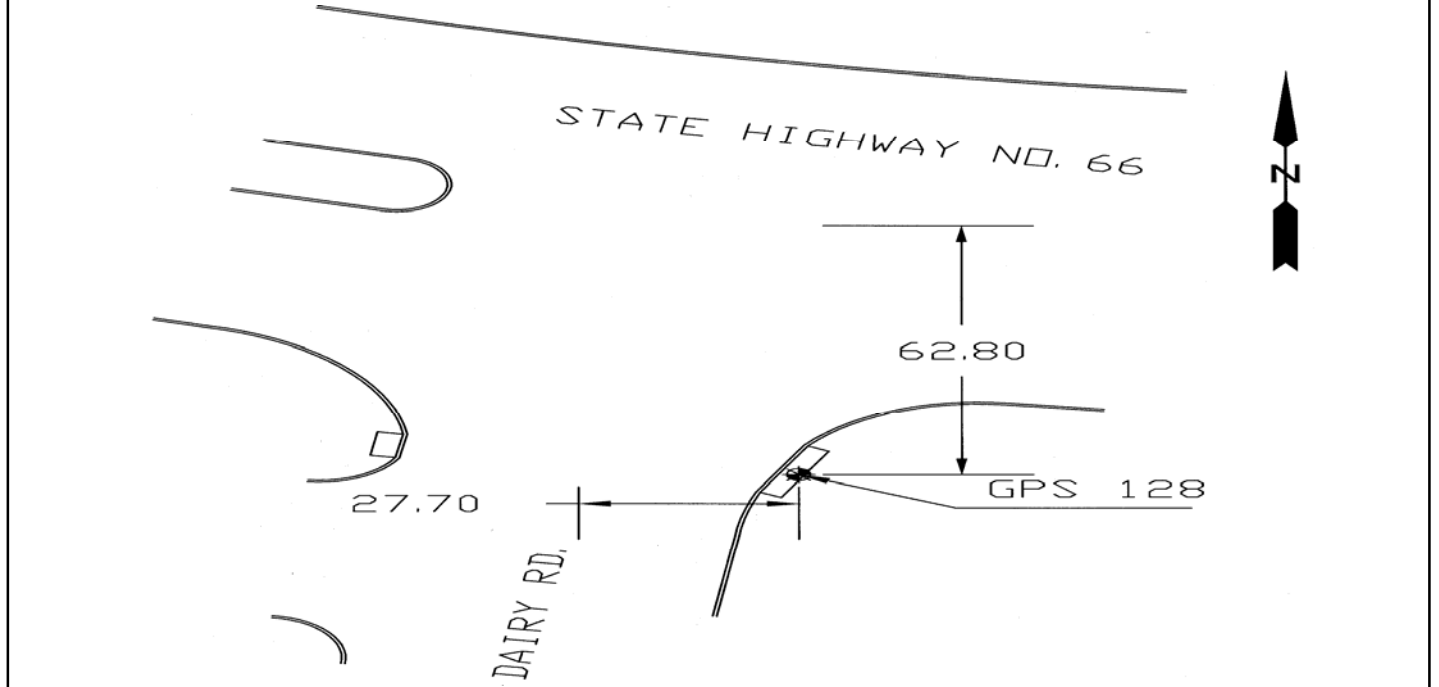
GPS Station Observation Log

Station Designation (Check applicable: <input checked="" type="checkbox"/> GEO. CNTRL. <input type="checkbox"/> Trav. PT. <input type="checkbox"/> BM)		Station PID, if any: GPS 128	DATE: 8/31/2005
Project Name: Geodetic Monument		Project Number: GPS-128	
NAD83 Latitude: 32 54 28.37906	NAD83 Longitude: 96 37 15.55917	Stat. 4-Char ID: _____	Day of Year: _____
Observation Session Time		Session ID: (A,B,C,etc.)	
Sched. Start: _____ Stop: _____		Agency Full Name: City of Garland	
Actual Start: 8:47 AM Stop: 1:00 PM		Operator Full Name: Toney E. Gibson	
Epoch Interval = <u>5</u> Seconds		Phone# (972) 205 - 2157	
Elevation Mask = _____ Degrees		E-mail: gbreysac@ci.garland.tx.us	

Receiver Brand & Model: Topcon Hiper Lite-Internal Antenna		Comments: 4HRS. STATIC DATA RECORDED.
Base: <u>X</u>	Rover:	NOTE: ELEV. 489.618 IS ORTHO HT. CALC. BY OPUS.
P/N: 01-840802-03	P/N: 01-840802-03	*LEVEL LOOP FROM RM 33 ELEV. 489.51 (NAVD 88)
S/N: 263-0243	S/N: 263-0233	
ID: 8QATEMNVCHS	ID: 8OKPW2V2RR4	

** ANTENNA HEIGHT **	Meters	Feet	NAD83 TXNC (4202)
Slant Height to ARP:	1.755	5.755	N = 7018391.07474
Vertical Height to ARP:			E = 2545108.71227
Meters = Feet x (0.3048)			Z = 489.51 (NAVD 88)
Height Entered into receiver = <u>1.7206</u> Meters.			CSF = 0.99985638
Note: &/or sketch ANY unusual conditions. be Very Explicit as to where and how Measured .			

LOG Checked By:	Data File Name(s):	(standard NGS Format = aaaadds.xxx) aaa=4 character ID, ddd=Day of Year,
-----------------	--------------------	---



GPS 128, 2" BRASS DISK STAMPED 128 IS LOCATED ON INLET TOP AT THE S.E. COR. OF DAIRY RD. AND SH 66 APPROX. 27.70' E. OF C/L OF DAIRY RD. AND APPROX. 62.80' S. OF STATE HIGHWAY No. 66
 COG MAP GRID H-8MAPSCO 29A-B***

Table of Weather

Problem	Visibility	Temperature	Cloud Cover	Wind
NONE	GOOD	80°	CLEAR	5 - 10 MPH
Any obstructions above 10° ?		(Y / N)	Radio Interference source nearby ?	
			(Y / N)	

RPLS: GSB P.Chief: TG Field Tech: KW Field Tech: CW

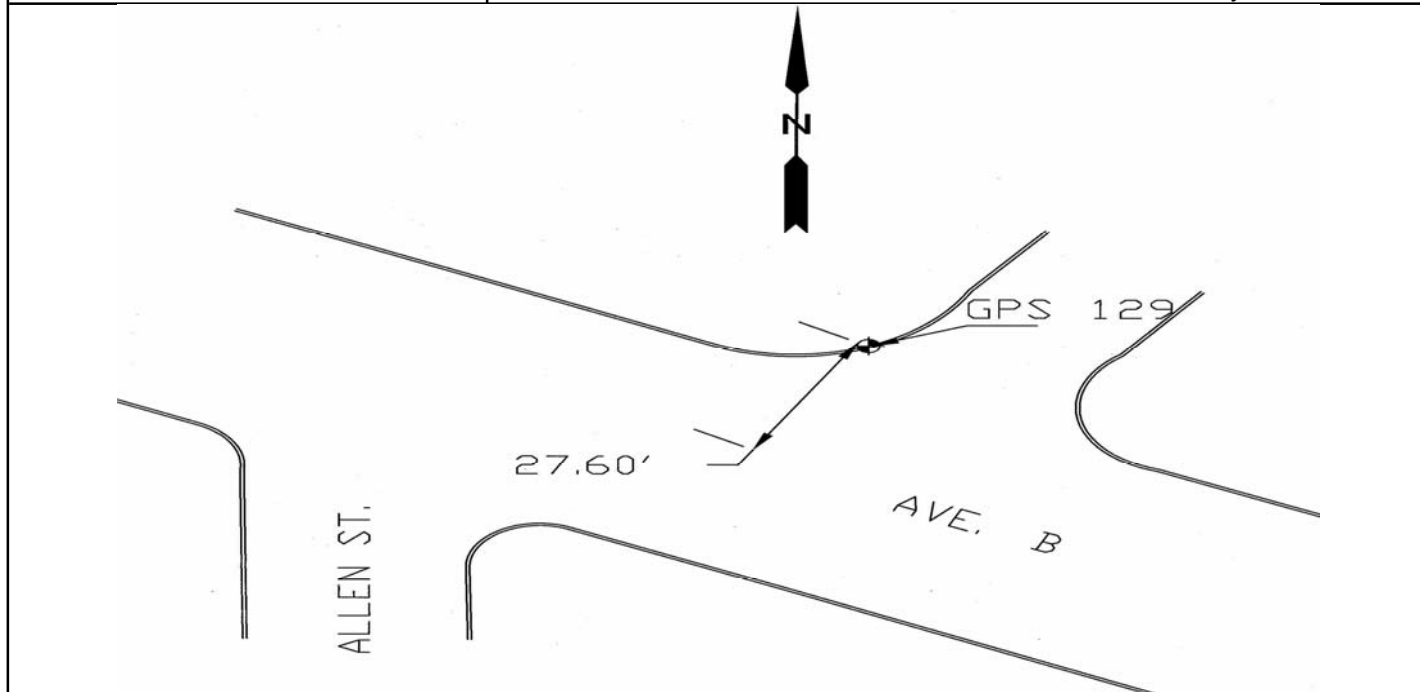
GPS Station Observation Log

Station Designation (Check applicable: <input checked="" type="checkbox"/> GEO. CNTRL. <input type="checkbox"/> Trav. PT. <input type="checkbox"/> BM)		Station PID, if any: GPS 129	DATE: 9/22/2005
Project Name: Geodetic Monument		Project Number: GPS-129	
NAD83 Latitude: 32 54 35.66712		NAD83 Longitude: 96 37 31.38301	
Observation Session Time		128.996 ft./meters	
Sched. Start: _____ Stop: _____		NAVD88 Orthometric Height	
Actual Start: <u>7:45 AM</u> Stop: <u>11:51 AM</u>		154.838 ft./meters	
Epoch Interval = <u>10</u> Seconds		GEOID03 Geoid Height	
Elevation Mask = _____ Degrees		ft./meters	

Receiver Brand & Model: Topcon Hiper Lite-Internal Antenna		Comments: 4HRS STATIC DATA RECORDED.
Base: <u>X</u>	Rover:	NOTE: ELEV. 507.9977 IS ORTHO HT. CALC. BY OPUS.
P/N: 01-840802-03	P/N: 01-840802-03	*LEVEL LOOP ELEV. FROM RM 33 ELEV. 507.9566 (NAVD 88)
S/N: 263-0243	S/N: 263-0233	
ID: 8QATEMNVCHS	ID: 8OKPW2V2RR4	

** ANTENNA HEIGHT **	Meters	Feet	NAVD83 TXNC (4202)
Slant Height to ARP:	1.670	5.48'	N = 7019103.37646 E = 2543746.87116
Vertical Height to ARP:			Z = 507.9566 (NAVD 88) CSF = 0.99985542
Meters = Feet x (0.3048) Height Entered into receiver = <u>1.6368</u> Meters.	Note: &/or sketch ANY unusual conditions. be Very Explicit as to where and how Measured .		

LOG Checked By:	Data File Name(s):	(standard NGS Format = aaaadds.xxx) aaa=4 character ID, ddd=Day of Year,
-----------------	--------------------	---



GPS 129, 2" BRASS DISK STAMPED 129 LOCATED IN B.C. POC @ N.W. COR. OF AVE. B & ALLEN ST. INT. APPROX. 27.60' N.E. OF THE C/L OF AVE. B AND ALLEN ST.
 COG MAP GRID H-8MAPSCO 19A-W***

Table of Weather

Problem	Visibility	Temperature	Cloud Cover	Wind
NONE	GOOD	78°	CLEAR	5 - 10 MPH
Any obstructions above 10° ?		(Y / N)	Radio Interference source nearby ? (Y / N)	

RPLS: GSB P.Chief: TG Field Tech: KW Field Tech: CW

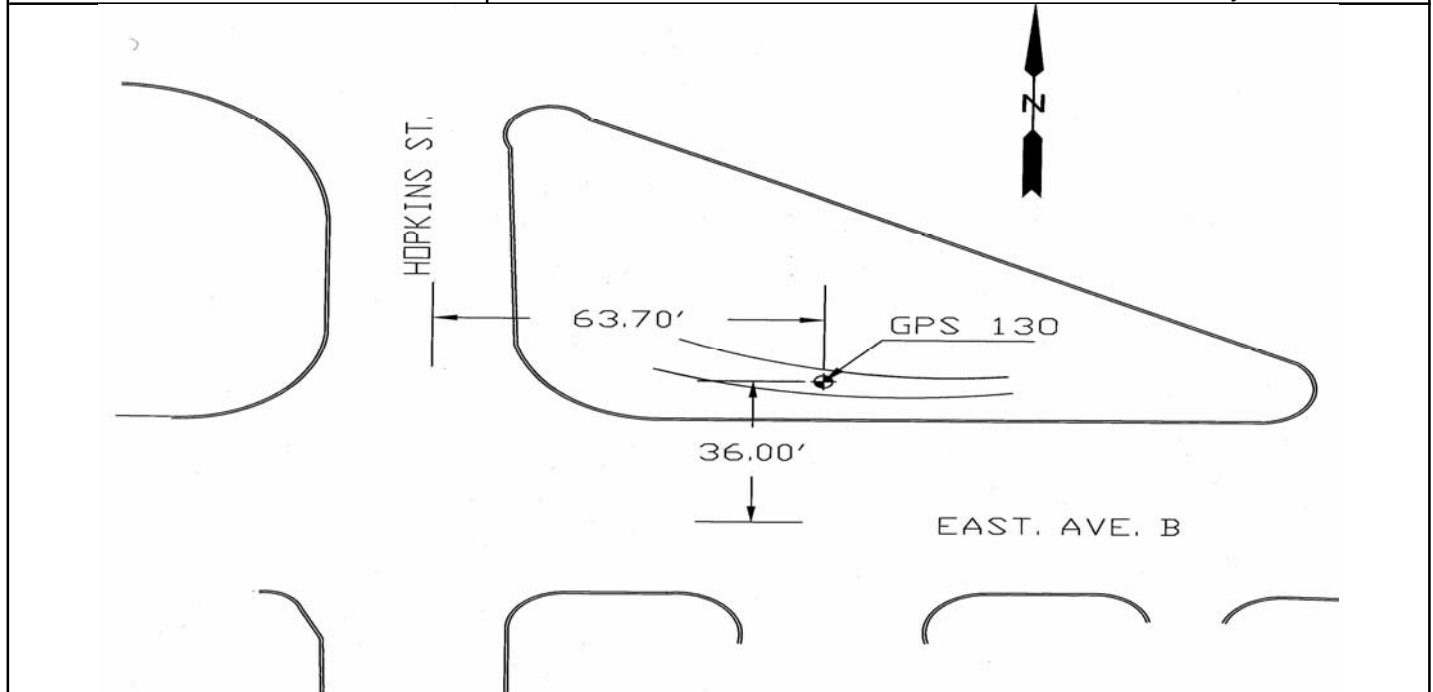
GPS Station Observation Log

Station Designation (Check applicable: <input checked="" type="checkbox"/> GEO. CNTRL. <input type="checkbox"/> Trav. PT. <input type="checkbox"/> BM)		Station PID, if any: GPS 130	DATE: 9/22/2005
Project Name: Geodetic Monument		Project Number: GPS- 130	
NAD83 Latitude: 32 54 38.96600		NAD83 Longitude: 96 37 41.39519	
Observation Session Time		131.219 ft./meters	
Sched. Start: _____ Stop: _____		NAVD88 Orthometric Height	
Actual Start: 7:56 AM Stop: 12:00 PM		157.069 ft./meters	
Epoch Interval = 10 Seconds		GEOID03 Geoid Height	
Elevation Mask = _____ Degrees		ft./meters	
Receiver Brand & Model: Topcon Hiper Lite-Internal Antenna		Comments: 4HRS STATIC DATA RECORDED.	

Base:	Rover: <u>X</u>	NOTE: ELEV. 515.317 IS ORTHO HT. CALC. BY OPUS.
P/N:01-840802-03	P/N:01-840802-03	*LEVEL LOOP ELEV. FROM RM 33 ELEV. 515.3666 (NAVD 88)
S/N: 263-0243	S/N: 263-0233	
ID:8QATEMNVCHS	ID:8OKPW2V2RR4	

** ANTENNA HEIGHT **	Meters	Feet	NAD83 TXNC (4202)
Slant Height to ARP:	1.710	5.61	N = 7019421.48606 E = 2542887.59138
Vertical Height to ARP:			Z = 515.3666 (NAVD 88) CSF = 0.99985503
Meters = Feet x (0.3048) Height Entered into receiver = 1.6764 Meters.	Note: &/or sketch ANY unusual conditions. be Very Explicit as to where and how Measured .		

LOG Checked By:	Data File Name(s):	(standard NGS Format = aaaadds.xxx) aaa=4 character ID, ddd=Day of Year,
-----------------	--------------------	---



GPS 130, 2" BRASS DISK STAMPED 130 LOCATED IN SIDEWALK ON N. SIDE OF EAST AVE. B. APPROX. 63.70' E. OF C/L INT. OF HOPKINS ST. AND APPROX. 36' NORTH OF C/L OF EAST AVE. B.

COG MAP GRID H-8MAPSCO 19A-W***

Table of Weather

Problem	Visibility	Temperature	Cloud Cover	Wind
NONE	GOOD	78°	CLEAR	5 - 10 MPH
Any obstructions above 10° ?		(Y / N)	Radio Interference source nearby ? (Y / N)	

RPLS: GSB P.Chief: TG Field Tech: KW Field Tech: CW

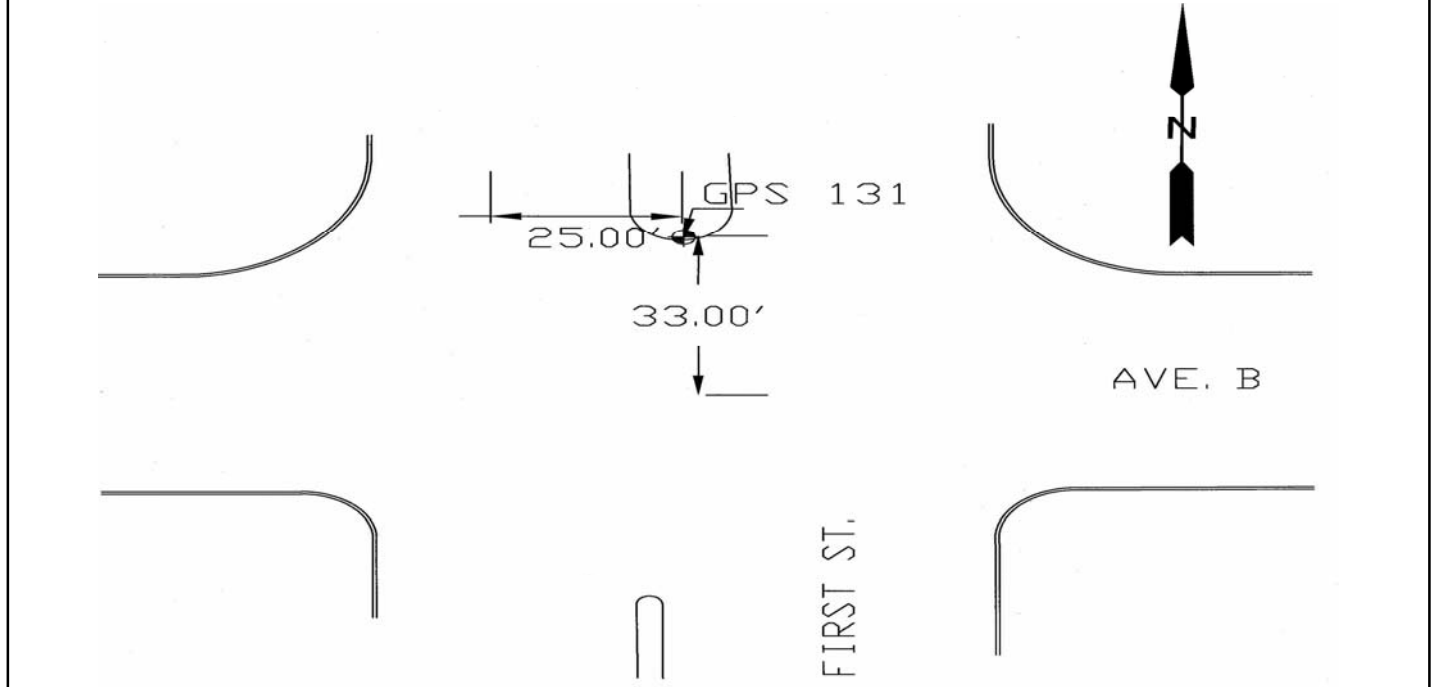
GPS Station Observation Log

Station Designation (Check applicable: <input checked="" type="checkbox"/> GEO. CNTRL. <input type="checkbox"/> Trav. PT. <input type="checkbox"/> BM)		Station PID, if any: GPS 131	DATE: 9/23/2005
Project Name: Geodetic Monument		Project Number: GPS- 131	
NAD83 Latitude: 32 54 39.04046		NAD83 Longitude: 96 37 50.68371	
Observation Session Time		135.705 ft./meters	
Sched. Start: _____ Stop: _____		NAVD88 Orthometric Height	
Actual Start: <u>7:38 AM</u> Stop: <u>11:49 AM</u>		161.563 ft./meters	
Epoch Interval = <u>5</u> Seconds		GEOID03 Geoid Height	
Elevation Mask = _____ Degrees		ft./meters	
Receiver Brand & Model: Topcon Hiper Lite-Internal Antenna		Comments: 4HRS STATIC DATA RECORDED.	

Base: <input checked="" type="checkbox"/>	Rover:	NOTE: ELEV. 530.06 IS ORTHO HT. CALC. BY OPUS.
P/N:01-840802-03	P/N:01-840802-03	*LEVEL LOOP ELEV. FRPM RM 33 ELEV. 530.1533 (NAVD 88)
S/N: 263-0243	S/N: 263-0233	
ID:8QATEMNVCHS	ID:8OKPW2V2RR4	

** ANTENNA HEIGHT **	Meters	Feet	NAD83 TXNC (4202)
Slant Height to ARP:	1.642	5.39	N = 7019414.91127 E = 2542095.80163
Vertical Height to ARP:			Z = 530.1533 (NAVD 88) CSF = 0.99985432
Meters = Feet x (0.3048) Height Entered into receiver = <u>1.6093</u> Meters.	Note: &/or sketch ANY unusual conditions. be Very Explicit as to where and how Measured .		

LOG Checked By:	Data File Name(s):	(standard NGS Format = aaaadds.xxx) aaa=4 character ID, ddd=Day of Year,
-----------------	--------------------	---



GPS 131, 2" BRASS DISK STAMPED 131 LOCATED IN C/L MEDIAN NOSE APPROX. 33' N. OF THE C/L OF S. FIRST ST AND AVE. B. AND APPROX. 25' E. OF S. BOUND FIRST ST C/L.
 COG MAP GRID H-8MAPSCO 19A-W***

Table of Weather

Problem	Visibility	Temperature	Cloud Cover	Wind
NONE	GOOD	78°	P/CLOUDY	5 - 10 MPH
Any obstructions above 10° ?		(Y / N)	Radio Interference source nearby ?	
			(Y / N)	

RPLS: GSB P.Chief: TG Field Tech: KW Field Tech: CW

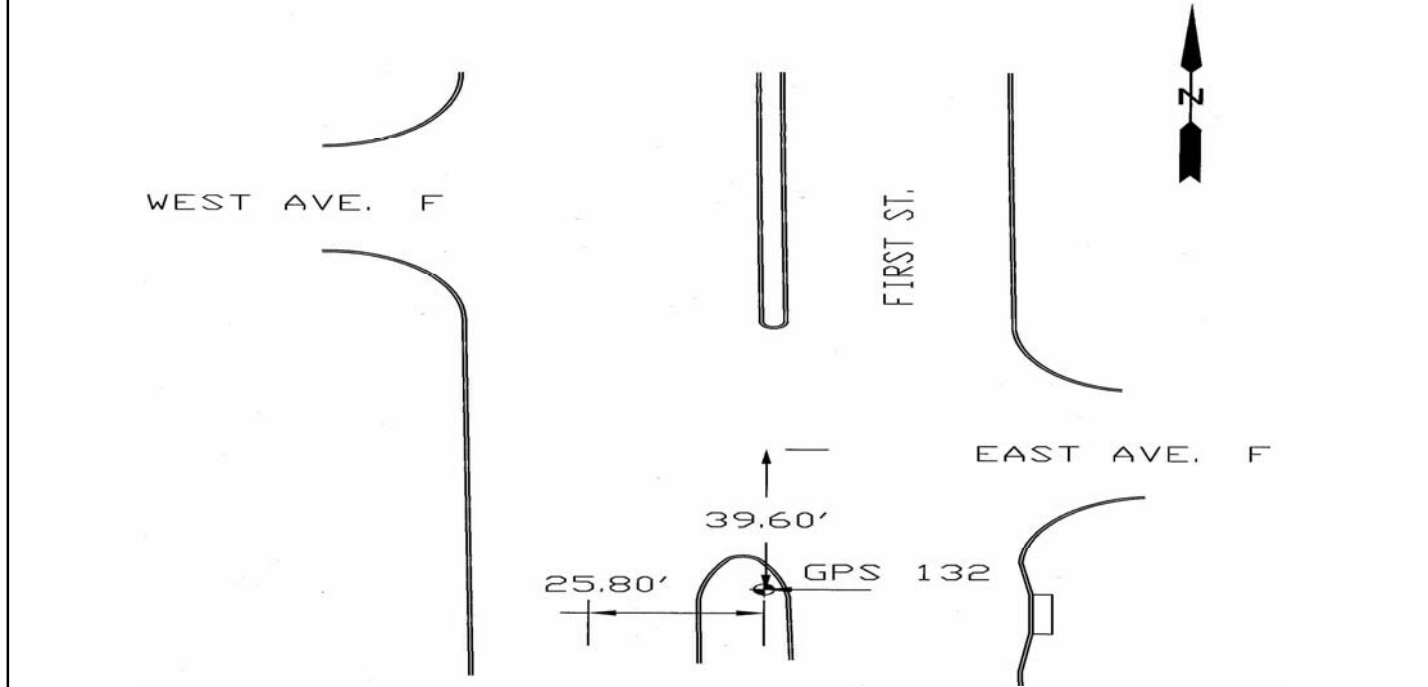
GPS Station Observation Log

Station Designation (Check applicable: <input checked="" type="checkbox"/> GEO. CNTRL. <input type="checkbox"/> Trav. PT. <input type="checkbox"/> BM)		Station PID, if any: GPS 132	DATE: 9/23/2005
Project Name: Geodetic Monument		Project Number: GPS-132	
NAD83 Latitude: 32 54 23.30605	NAD83 Longitude: 96 37 50.82239	Stat. 4-Char ID: _____	Day of Year: _____
Observation Session Time		Session ID: (A,B,C,etc.)	
Sched. Start: _____ Stop: _____		Agency Full Name: City of Garland	
Actual Start: 7:55 AM Stop: 12:00 PM		Operator Full Name: Toney E. Gibson	
Epoch Interval = <u>5</u> Seconds		Phone# (972) 205 - 2157	
Elevation Mask = _____ Degrees		E-mail: gbreysac@ci.garland.tx.us	

Receiver Brand & Model: Topcon Hiper Lite-Internal Antenna		Comments: 4HRS STATIC DATA RECORDED.
Base:	Rover: <u>X</u>	NOTE: ELEV. IS ORTHO HT. CALC. BY OPUS.
P/N: 01-840802-03	P/N: 01-840802-03	
S/N: 263-0243	S/N: 263-0233	
ID: 8QATEMNVCHS	ID: 8OKPW2V2RR4	

** ANTENNA HEIGHT **		Meters	Feet	NAD83 TXNC (4202)
Slant Height to ARP:	1.692	5.55	N = 7017824.86524	
Vertical Height to ARP:			E = 2542112.27141	
			Z = 533.60129	
			CSF = 0.99985434	
Meters = Feet x (0.3048) Height Entered into receiver = <u>1.6581</u> Meters.		Note: &/or sketch ANY unusual conditions. be Very Explicit as to where and how Measured .		

LOG Checked By:	Data File Name(s):	(standard NGS Format = aaaadds.xxx) aaa=4 character ID, ddd=Day of Year,
-----------------	--------------------	---



GPS 132, 2" BRASS DISK STAMPED 132 LOCATED ON C/L MEDIAN NOSE @ S. FIRST ST & E. AVE. F INT. APPROX. 39.60' S. OF E. AVE. F & S. FIRST ST INT. APPROX 25.80' E. OF S. FIRST ST S. BOUND C/L.
 COG MAP GRID H-8MAPSCO 29A-A***

Table of Weather

Problem	Visibility	Temperature	Cloud Cover	Wind
NONE	GOOD	78°	P/CLOUDY	5 - 10 MPH
Any obstructions above 10° ?		(Y / N)	Radio Interference source nearby ? (Y / N)	

RPLS: GSB P.Chief: TG Field Tech: KW Field Tech: CW

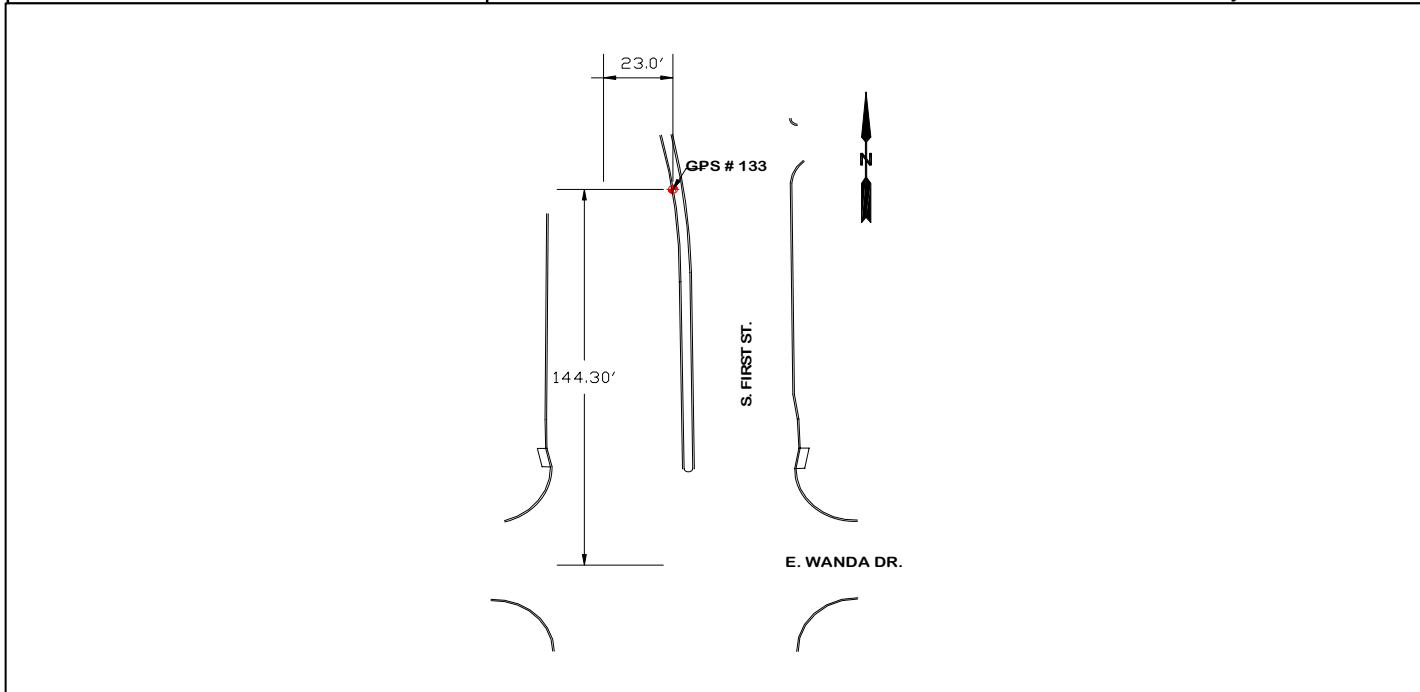
GPS Station Observation Log

Station Designation (Check applicable: <input checked="" type="checkbox"/> GEO. CNTRL. <input type="checkbox"/> Trav. PT. <input type="checkbox"/> BM)		Station PID, if any: GPS 133	DATE: 9/26/2005
Project Name: Geodetic Monument		Project Number: GPS- 133	
NAD83 Latitude: 32 54 06.00645		NAD83 Longitude: 96 37 51.23268	
Observation Session Time		139.060 m ft./meters	
Sched. Start: _____ Stop: _____		NAVD88 Orthometric Height	
Actual Start: <u>7:44 AM</u> Stop: <u>11:55 AM</u>		164.924 m ft./meters	
Epoch Interval = <u>10</u> Seconds		GEOID03 Geoid Height	
Elevation Mask = _____ Degrees		ft./meters	

Receiver Brand & Model: Topcon Hiper Lite-Internal Antenna		Comments: 4HRS STATIC DATA RECORDED.	
Base: <u>X</u>		Rover:	
P/N:01-840802-03		P/N:01-840802-03	
S/N: 263-0243		S/N: 263-0233	
ID:8QATEMNVCHS		ID:8OKPW2V2RR4	

** ANTENNA HEIGHT **		Meters	Feet	NAD83 TXNC (4202)
Slant Height to ARP:		1.674	5.49	N = 7016076.25981
Vertical Height to ARP:				E = 2542108.40659
Meters = Feet x (0.3048)		Note: &/or sketch ANY unusual conditions. be Very Explicit as to where and how Measured .		
Height Entered into receiver = <u>1.6398</u> Meters.				

LOG Checked By:	Data File Name(s):	(standard NGS Format = aaaadds.xxx) aaa=4 character ID, ddd=Day of Year,
-----------------	--------------------	---



GPS 133, 2" BRASS DISK STAMPED 133, LOCATED ON B.C. OF MEDIAN ON FIRST ST APPROX. 23' E. OF S. BOUND FIRST ST C/L AND APPROX. 144.30' N. OF WANDA DR & FIRST ST INT C/L.
 COG MAP GRID I-8MAPSCO 29A-A***

Table of Weather

Problem	Visibility	Temperature	Cloud Cover	Wind
NONE	GOOD	77°	CLEAR	3 - 5 MPH
Any obstructions above 10° ?		(Y / N)	Radio Interference source nearby ?	
			(Y / N)	

RPLS: GSB P.Chief: TG Field Tech: KW Field Tech: CW

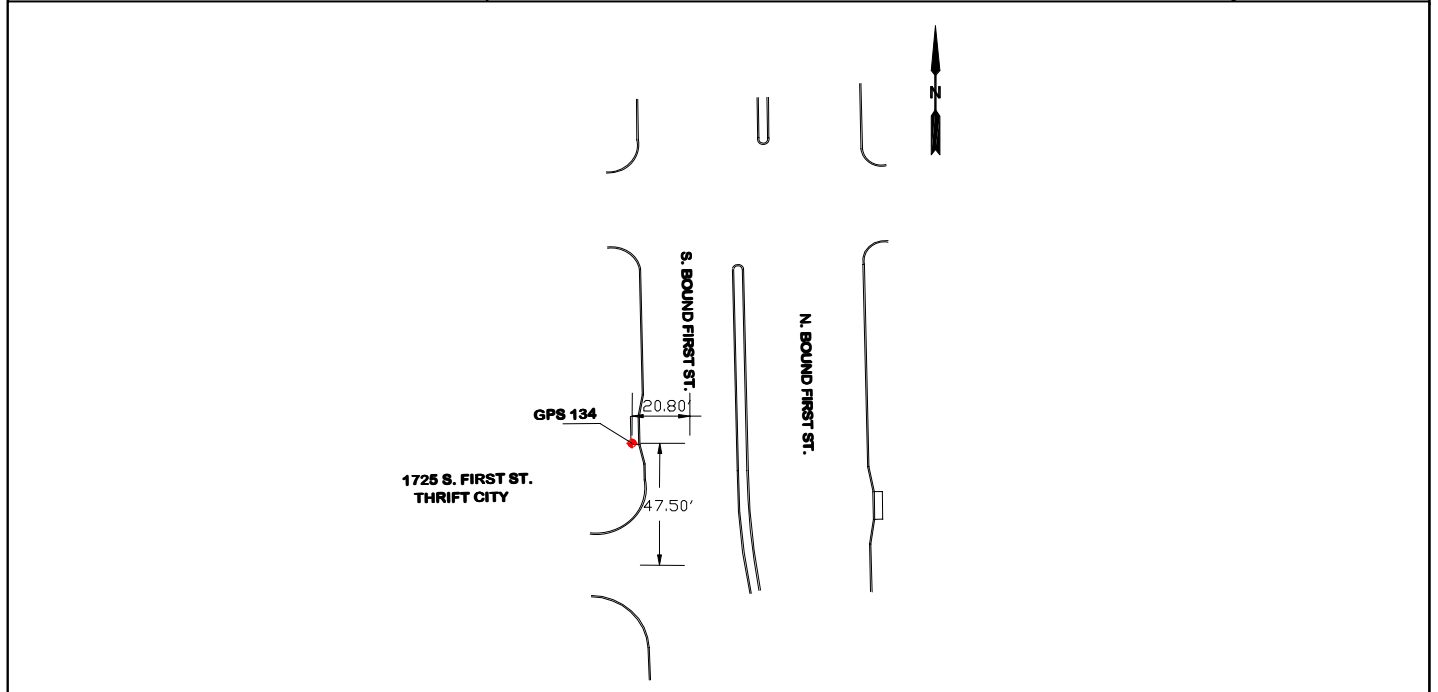
GPS Station Observation Log

Station Designation (Check applicable: <input checked="" type="checkbox"/> GEO. CNTRL. <input type="checkbox"/> Trav. PT. <input type="checkbox"/> BM)		Station PID, if any: GPS 134	DATE: 9/26/2005
Project Name: Geodetic Monument		Project Number: GPS- 134	
NAD83 Latitude: 32 53 48.50752		NAD83 Longitude: 96 37 51.89144	
Observation Session Time		147.676 ft./meters	
Sched. Start: _____ Stop: _____		NAVD88 Orthometric Height	
Actual Start: <u>7:48 AM</u> Stop: <u>12:00 PM</u>		173.543 ft./meters	
Epoch Interval = <u>10</u> Seconds		GEOID03 Geoid Height	
Elevation Mask = _____ Degrees		ft./meters	
Receiver Brand & Model: Topcon Hiper Lite-Internal Antenna		Comments: 4HRS STATIC DATA RECORDED.	

Base:	Rover: <u>X</u>	NOTE: ELEV. 569.365 IS ORTHO HT. CALC. BY OPUS.
P/N:01-840802-03	P/N:01-840802-03	
S/N: 263-0243	S/N: 263-0233	
ID:8QATEMNVCHS	ID:8OKPW2V2RR4	

** ANTENNA HEIGHT **	Meters	Feet	NAD83 TXNC (4202)
Slant Height to ARP:	1.562	5.125	N = 7014307.13606
Vertical Height to ARP:			E = 2542083.71175
			Z = 569.36566
			CSF = 0.99985307
Meters = Feet x (0.3048) Height Entered into receiver = <u>1.5286</u> Meters.	Note: &/or sketch ANY unusual conditions. be Very Explicit as to where and how Measured .		

LOG Checked By:	Data File Name(s):	(standard NGS Format = aaaadds.xxx) aaa=4 character ID, ddd=Day of Year,
-----------------	--------------------	---



GPS 134, 2" BRASS DISK STAMPED 134, LOCATED ON INLET TOP S.W. COR. ON S. BOUND SIDE OF FIRST APPROX. 20.80' W. OF S. BOUND FIRST ST C/L & APPROX. 47.50' N. OF 1725 S. FIRST ST THRIFT CITY STORE DRIVEWAY C/L. ***COG MAP GRID I-8***MAPSCO 29A-E***

Table of Weather

Problem	Visibility	Temperature	Cloud Cover	Wind
NONE	GOOD	77°	CLEAR	3 - 5 MPH
Any obstructions above 10° ?		(Y / N)	Radio Interference source nearby ?	
			(Y / N)	

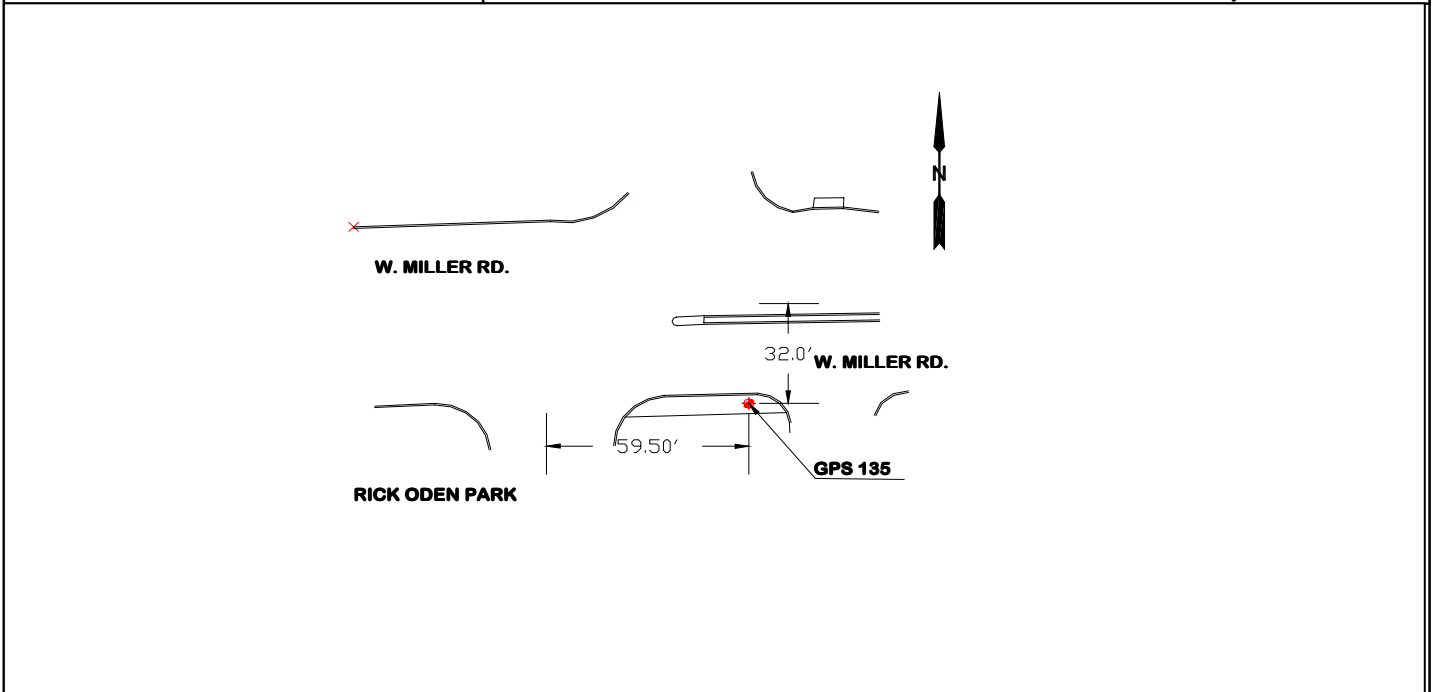
RPLS: GSB P.Chief: TG Field Tech: KW Field Tech: CW

GPS Station Observation Log

Station Designation	Check applicable: <input checked="" type="checkbox"/> GEO. CNTRL. <input type="checkbox"/> Trav. PT. <input type="checkbox"/> BM	Station PID, if any:	DATE:
		GPS 135	2/8/2007
Project Name: Geodetic Monument	Project Number: GPS-135	Stat. 4-Char ID: _____	Day of Year: _____
NAD83 Latitude: 32 53 39.66577	NAD83 Longitude: 96 38 31.45432	Session ID: (A,B,C,etc.)	
Observation Session Time		132.729	ft./meters
Sched. Start: _____ Stop: _____	NAVD88 Orthometric Height	Operator Full Name: Toney E. Gibson	
Actual Start: 9:05AM Stop: 1:10PM	158.630	Phone# (972) 205 - 2157	
Epoch Interval = 10 Seconds	GEOID03 Geoid Height	E-mail: gbreysac@ci.garland.tx.us	
Elevation Mask = _____ Degrees	ft./meters		
Receiver Brand & Model: Topcon Hiper Lite - Internal Antenna		Comments: 4 HRS. STATIC DATA RECORDED.	
<input checked="" type="checkbox"/> Base	<input type="checkbox"/> Rover	NOTE: ELEV. 520.44 IS ORTHO HT. CALC. BY OPUS.	
P/N: 01-840802-03	P/N: 01-840802-03		
S/N: 263-0243	S/N: 263-0233		
ID: 8QATEMNVCHS	ID: 8OKPW2V2RR4		

** ANTENNA HEIGHT **	Meters	Feet	NAD83 TXNC (4202)
Slant Height to ARP:	1.708	5.595	N = 7013353.92300
		5.485	E = 2538727.05800
Vertical Height to ARP:		1.6718	Z = 520.439
			CSF = 0.99985553
Meters = Feet x (0.3048) Height Entered into receiver : 1.6718 Meters.	Note: &/or sketch ANY unusual conditions. be Very Explicit as to where and how Measured .		

LOG Checked By:	Data File Name(s):	(standard NGS Format = aaaaddds.xxx) aaa=4 character ID, ddd=Day of Year,
-----------------	--------------------	--



GPS 135, 2" BRASS DISK STAMPED 135, LOCATED IN SIDEWALK, APPROX. 60' E. OF RICK ODEN PARK ENTRANCE WAY OFF MILLER RD & APPROX. 32' S. OF MILLER RD. C/L.
 COG MAP GRID I-7MAPSCO 29-H***

Table of Weather

Problem	Visibility	Temperature	Cloud Cover	Wind
NONE	GOOD	57°	CLOUDY	5 - 10 MPH
Any obstructions above 10° ? <input type="checkbox"/> YES <input type="checkbox"/> NO		Radio Interference source nearby ?		<input type="checkbox"/> YES <input type="checkbox"/> NO

RPLS: GSB P.Chief: TG Field Tech: KW Field Tech: CW

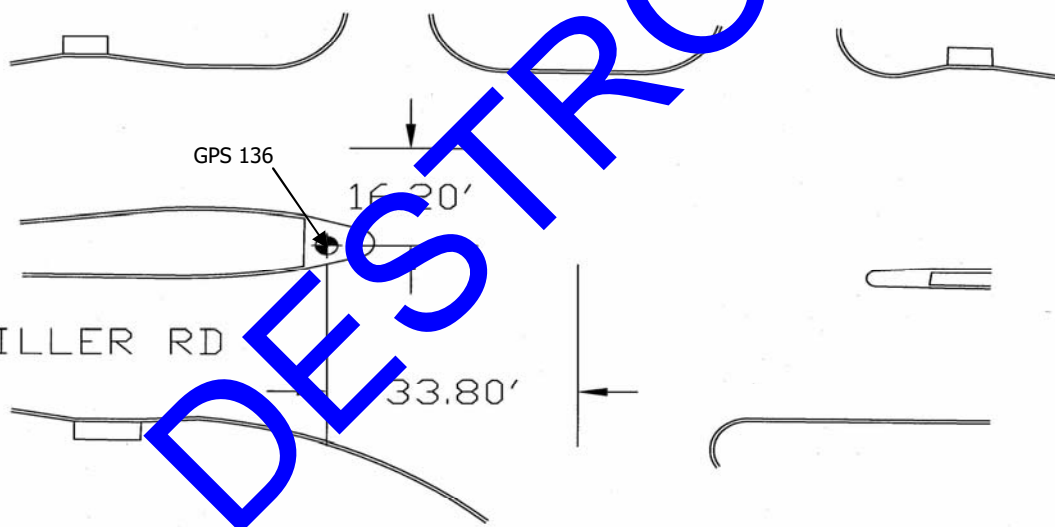
GPS Station Observation Log

Station Designation (Check applicable: <input checked="" type="checkbox"/> GEO. CNTRL. <input type="checkbox"/> Trav. PT. <input type="checkbox"/> BM)		Station PID, if any: GPS 136	DATE: 9/16/2005
Project Name: Geodetic Monument		Project Number: GPS- 136	
NAD83 Latitude: 32 53 39.78347		NAD83 Longitude: 96 38 16.31296	
Observation Session Time		143.351 m ft./meters	
Sched. Start: _____ Stop: _____		NAVD88 Orthometric Height	
Actual Start: <u>7:41 AM</u> Stop: <u>11:50 AM</u>		169.240 m ft./meters	
Epoch Interval = <u>10</u> Seconds		GEOID03 Geoid Height	
Elevation Mask = _____ Degrees		ft./meters	
Receiver Brand & Model: Topcon Hiper Lite-Internal Antenna		Comments: 4HRS STATIC DATA RECORDED.	
Base:	Rover: <u>X</u>	*NOTE: ELEV. 555.41 EST. BY LEVELING FROM RM20.	
P/N:01-840802-03	P/N:01-840802-03	NOTE: ELEV. 555.248 IS ORTHO HT. CALC. BY OPUS.	
S/N: 263-0243	S/N: 263-0233		
ID:8QATEMNVCHS	ID:8OKPW2V2RR4		
** ANTENNA HEIGHT **		NAD83 TXNC (4202)	
Slant Height to ARP:	Meters: 1.726	Feet: 5.665	N = 7013388.37004
Vertical Height to ARP:			E = 240017.51744
			Z = 555.41*
			CS = 0.93385386
Meters = Feet x (0.3048)	Note: &/or sketch ANY unusual conditions be Very Explicit as to where and how Measured.		
Height Entered into receiver = <u>1.6932</u> Meters.			
LOG Checked By:	Data File Name(s): _____ Standard NGS Format = aaaadds.xxx aaa=4 character ID, ddd=Day of Year,		

601 MILLER RD.

521 MILLER RD

W. MILLER RD



W. C. DAUGHERTY
ELEM SCHOOL

GPS 136, 2" BRASS DISK STAMPED 136 LOCATED IN C/L MEDIAN NOSE @ 601 MILLER RD, IN FRONT OF THE W. ENTRY TO W.C. DAUGHERTY ELEM. SCHOOL. APPROX. 16.20' S. OF W. BOUND MILLER RD C/L AND APPROX. 33.80' W. OF DAUGHERTY ELEM. SCHOOL W. DRIVEWAY. ***COG MAP GRID I-7***MAPSCO 29-H***

Table of Weather

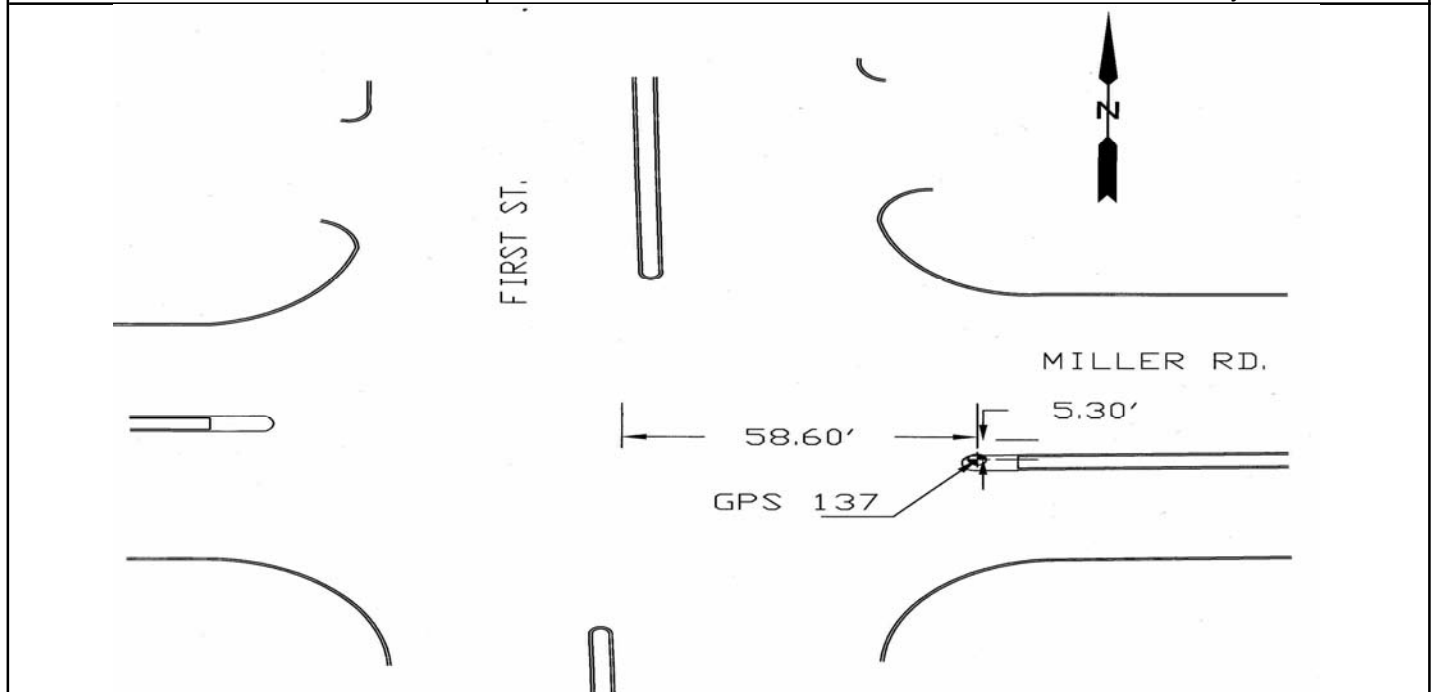
Problem	Visibility	Temperature	Cloud Cover	Wind
NONE	GOOD	73°	CLOUDY	5 - 10 MPH
Any obstructions above 10° ? (Y / N)		Radio Interference source nearby ? (Y / N)		
RPLS: <u>GSB</u>	P.Chief: <u>TG</u>	Field Tech: <u>KW</u>	Field Tech: <u>CW</u>	

GPS Station Observation Log

Station Designation (Check applicable: <input checked="" type="checkbox"/> GEO. CNTRL. <input type="checkbox"/> Trav. PT. <input type="checkbox"/> BM)		Station PID, if any: GPS 137	DATE: 9/16/2005
Project Name: Geodetic Monument		Project Number: GPS-137	
NAD83 Latitude: 32 53 39.29443		NAD83 Longitude: 96 37 50.65356	
Observation Session Time		147.940 m ft./meters	
Sched. Start: _____ Stop: _____		NAVD88 Orthometric Height	
Actual Start: <u>7:58 AM</u> Stop: <u>12:00 PM</u>		173.807 m ft./meters	
Epoch Interval = <u>10</u> Seconds		GEOID03 Geoid Height	
Elevation Mask = _____ Degrees		ft./meters	
Receiver Brand & Model: Topcon Hiper Lite-Internal Antenna		Comments: 4HRS STATIC DATA RECORDED.	
Base: <input checked="" type="checkbox"/> Rover: _____		*NOTE: ELEV. 570.50 EST. BY LEVELING FROM RM20.	
P/N: 01-840802-03		NOTE: ELEV. 570.231 IS ORTHO HT. CALC. BY OPUS.	
S/N: 263-0243		S/N: 263-0233	
ID: 8QATEMNVCHS		ID: 8OKPW2V2RR4	

** ANTENNA HEIGHT **	Meters	Feet	NAD83 TXNC (4202)
Slant Height to ARP:	1.575	5.17	N = 7013378.10904 E = 2542205.79812
Vertical Height to ARP:			Z = 570.50* CSF = 0.99985315
Meters = Feet x (0.3048) Height Entered into receiver = <u>1.5423</u> Meters.	Note: &/or sketch ANY unusual conditions. be Very Explicit as to where and how Measured .		

LOG Checked By: _____	Data File Name(s): _____ (standard NGS Format = aaaadds.xxx) aaa=4 character ID, ddd=Day of Year,
-----------------------	--



GPS 137, 2" BRASS DISK STAMPED 137 IS LOCATED IN C/L MEDIAN NOSE APPROX. 58.60' E. OF C/L INT. OF MILLER RD. & FIRST ST AND APPROX. 5.30' S. OF MILLER RD C/L.
 COG MAP GRID I-7MAPSCO 29A-E***

Table of Weather

Problem	Visibility	Temperature	Cloud Cover	Wind
NONE	GOOD	73°	CLOUDY	5 - 10 MPH
Any obstructions above 10° ?		(Y / N)	Radio Interference source nearby ? (Y / N)	

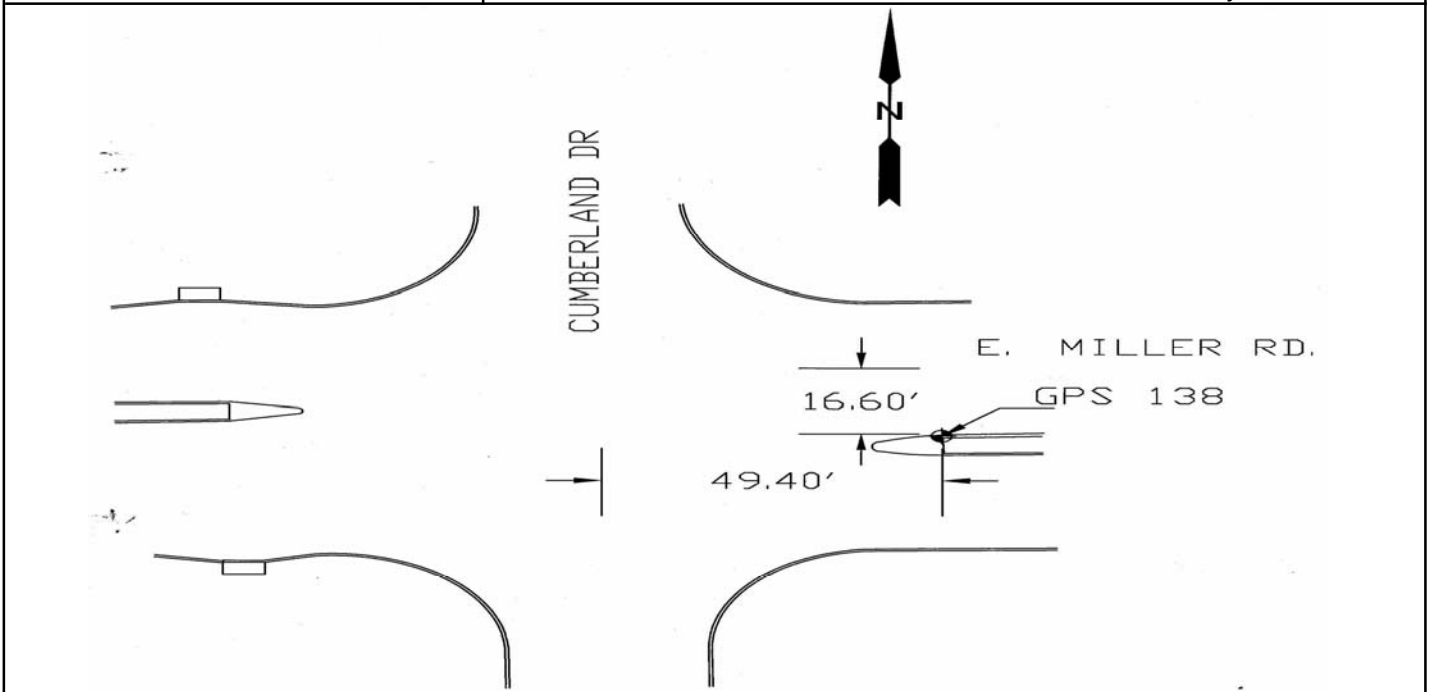
RPLS: GSB P.Chief: TG Field Tech: KW Field Tech: CW

GPS Station Observation Log

Station Designation (Check applicable: <input checked="" type="checkbox"/> GEO. CNTRL. <input type="checkbox"/> Trav. PT. <input type="checkbox"/> BM)		Station PID, if any: GPS 138	DATE: 9/19/2005
Project Name: Geodetic Monument		Project Number: GPS-138	
NAD83 Latitude: 32 53 39.26536		NAD83 Longitude: 96 37 32.76777	
Observation Session Time		146.671 ft./meters	
Sched. Start: _____ Stop: _____		NAVD88 Orthometric Height	
Actual Start: <u>7:54 AM</u> Stop: <u>12:00 PM</u>		172.524 ft./meters	
Epoch Interval = <u>10</u> Seconds		GEOID03 Geoid Height	
Elevation Mask = _____ Degrees		ft./meters	
Receiver Brand & Model: Topcon Hiper Lite-Internal Antenna		Comments: 4HRS STATIC DATA RECORDED.	
Base: <input checked="" type="checkbox"/> Rover: _____		*NOTE: ELEV. 565.99 EST BY LEVELING FROM RM20.	
P/N: 01-840802-03		P/N: 01-840802-03	
S/N: 263-0243		S/N: 263-0233	
ID: 8QATEMNVCHS		ID: 8OKPW2V2RR4	

** ANTENNA HEIGHT **	Meters	Feet	NAD83 TXNC (4202)
Slant Height to ARP:	1.650	5.41	N = 7013402.33800
Vertical Height to ARP:			E = 2543730.52933
			Z = 565.99*
			CSF = 0.99985335
Meters = Feet x (0.3048)			
Height Entered into receiver = <u>1.6154</u> Meters.			

LOG Checked By: _____ Data File Name(s): _____ (standard NGS Format = aaaadds.xxx)
 aaa=4 character ID, ddd=Day of Year,



GPS 138, 2" BRASS DISK STAMPED 138 IS LOCATED IN C/L MEDIAN ON MILLER RD. APPROX. 49.40' E. OF THE INT. OF MILLER RD & CUMBERLAND DR AND APPROX. 16.60' S. OF W. BOUND MILLER RD C/L.
 COG MAP GRID I-8MAPSCO 29A-E***

Table of Weather

Problem	Visibility	Temperature	Cloud Cover	Wind
NONE	GOOD	80°	CLEAR	5 - 10 MPH
Any obstructions above 10° ?		(Y / N)	Radio Interference source nearby ?	
		(Y / N)		

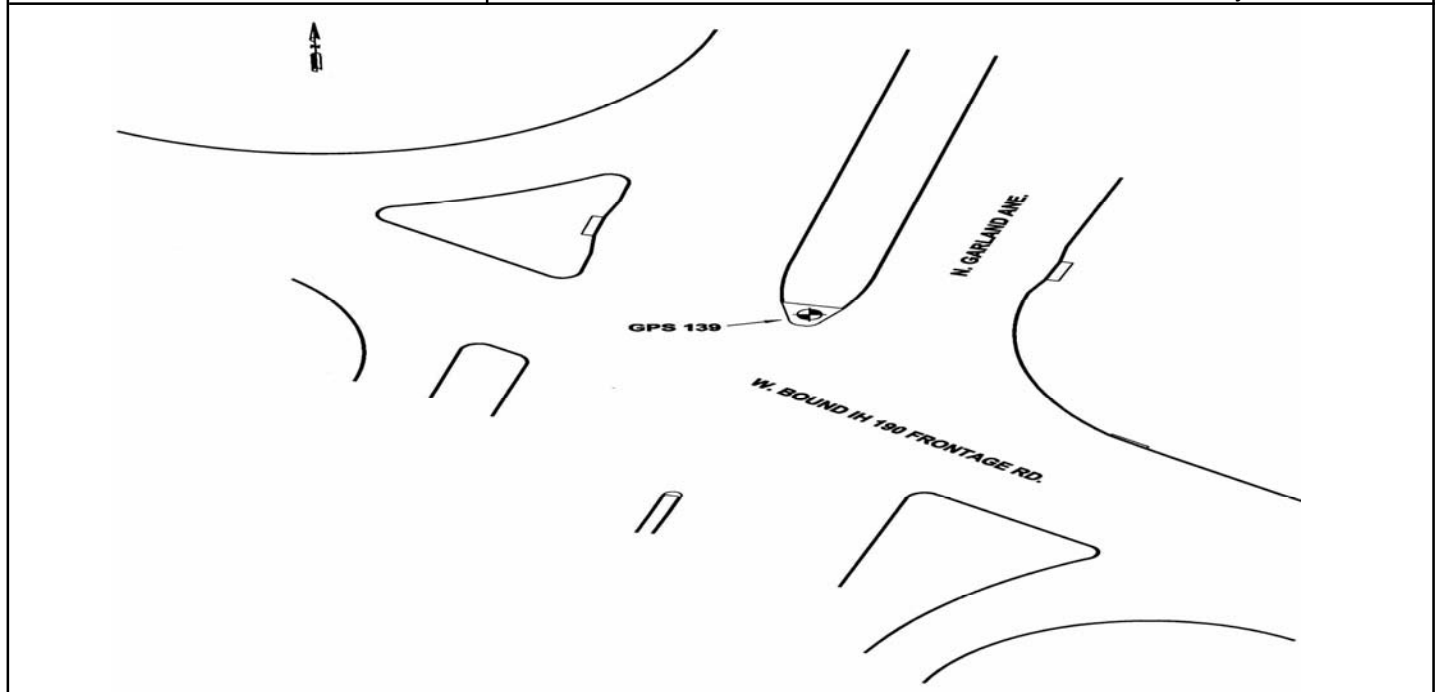
RPLS: GSB P.Chief: TG Field Tech: KW Field Tech: CW

GPS Station Observation Log

Station Designation	Check applicable: <input checked="" type="checkbox"/> GEO. CNTRL. <input type="checkbox"/> Trav. PT. <input type="checkbox"/> BM	Station PID, if any:	DATE:
		GPS 139	6/6/2006
Project Name: Geodetic Monument		Project Number: GPS- 139	
NAD83 Latitude:	NAD83 Longitude:	Stat.4-Char ID: _____	Day of Year: _____
32 58 00.50529	96 38 30.30719	Session ID: (A,B,C,etc.)	
Observation Session Time		Agency Full Name: City of Garland	
		141.819 ft./meters	
Sched. Start: _____ Stop: _____	NAVD88 Orthometric Height		Operator Full Name: Toney E. Gibson
Actual Start: 12:10 AM Stop: 4:10 PM	167.683 ft./meters		
Epoch Interval = <u>10</u> Seconds	GEOID03 Geoid Height		Phone# (972) 205 - 2157
Elevation Mask = _____ Degrees			E-mail: gbreysac@ci.garland.tx.us
Receiver Brand & Model: Topcon Hiper Lite-Internal Antenna		Comments: 4 HRS. STATIC DATA RECORDED.	
<input checked="" type="checkbox"/> Base	<input type="checkbox"/> Rover	NOTE: ELEV. 550.14 IS ORTHO HT. CALC. BY OPUS.	
P/N:01-840802-03	P/N:01-840802-03	*NOTE: ELEV. 550.197 LEVEL FROM NGSCS 1337 (NAVD 88)	
S/N: 263-0243	S/N: 263-0233		
ID:8QATEMNVCHS	ID:8OKPW2V2RR4		

** ANTENNA HEIGHT **	Meters	Feet	NAD83 TXNC (4202)
Slant Height to ARP:	1.691	5.55	N = 7039711.49798
		5.44	E = 2538358.60109
Vertical Height to ARP:			Z = 550.197*
			CSF = 0.99985145
Meters = Feet x (0.3048)	Note: &/or sketch ANY unusual conditions. be Very Explicit as to where and how Measured .		
Height Entered into receiver : 1.6581 Meters.			

LOG Checked By:	Data File Name(s):	(standard NGS Format = aaaaddds.xxx) aaa=4 character ID, ddd=Day of Year,
-----------------	--------------------	--



COG GPS MON 139, 2" BRASS DISK LOCATED IN C/L MEDIAN NOSE ON N.GARLAND N. OF IH190 OVERPASS AND N GARLAND INT. APPROX. 48' N OF W. BOUND IH190 FRONTAGE RD C/L.
 COG MAP GRID B-7MAPSCO 9-Y,Z***

Table of Weather

Problem	Visibility	Temperature	Cloud Cover	Wind
NONE	GOOD	98°	CLEAR	10 - 15 MPH
Any obstructions above 10° ? <input type="checkbox"/> YES <input type="checkbox"/> NO		Radio Interference source nearby ?		<input type="checkbox"/> YES <input type="checkbox"/> NO

RPLS: GSB P.Chief: TG Field Tech: KW Field Tech: CW

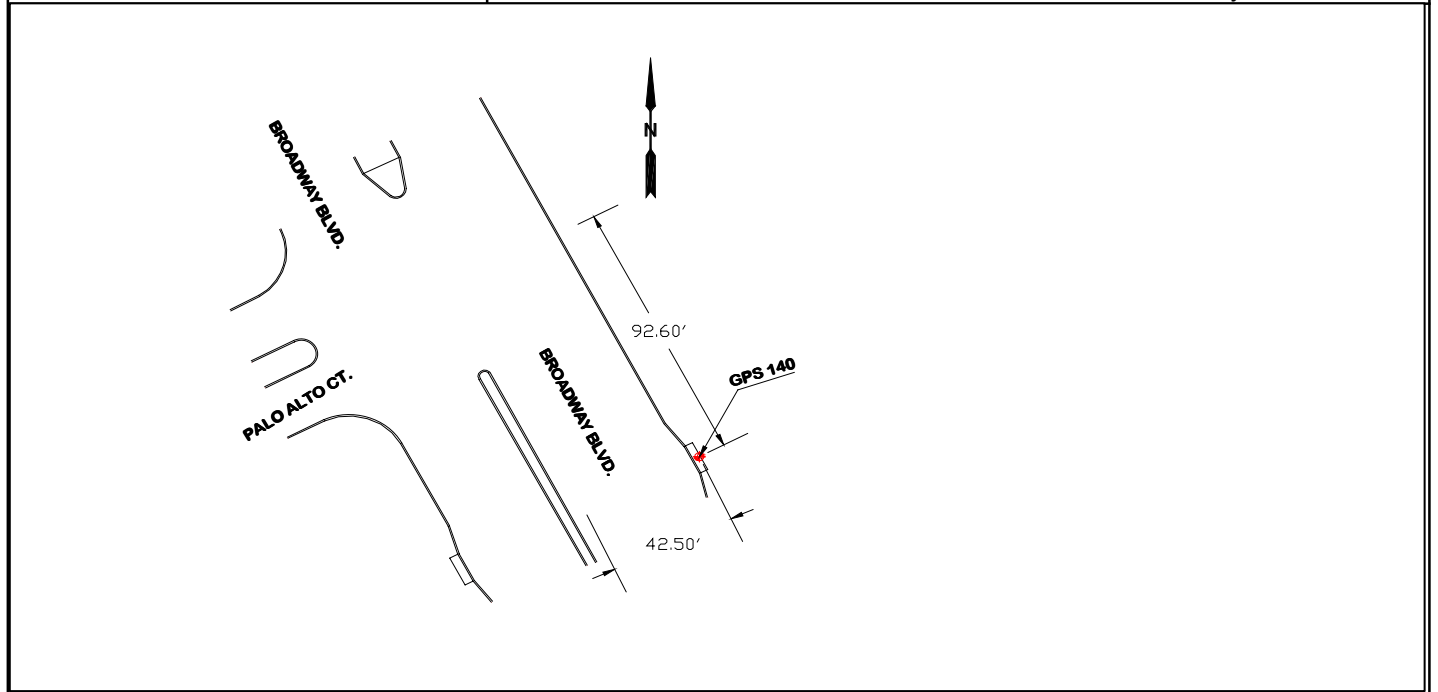
GPS Station Observation Log

Station Designation	Check applicable: <input checked="" type="checkbox"/> GEO. CNTRL. <input type="checkbox"/> Trav. PT. <input type="checkbox"/> BM	Station PID, if any:	DATE:
		GPS 140	6/2/2006
Project Name: Geodetic Monument	Project Number: GPS-140	Stat. 4-Char ID: _____	Day of Year: _____
NAD83 Latitude: 32 51 12.17012	NAD83 Longitude: 96 35 58.78962	NAD83 Ellipsoidal Height	Session ID: (A,B,C,etc.)
Observation Session Time		129.109	Agency Full Name: City of Garland
Sched. Start: _____ Stop: _____	NAVD88 Orthometric Height	Operator Full Name: Toney E. Gibson	
Actual Start: 8:57 AM Stop: 1:14 PM	154.908	Phone# (972) 205 - 2157	
Epoch Interval = 5 Seconds	GEOID03 Geoid Height	E-mail: gbreysac@ci.garland.tx.us	
Elevation Mask = _____ Degrees	ft./meters		

Receiver Brand & Model: Topcon Hiper Lite-Internal Antenna		Comments: 4 HRS. STATIC DATA RECORDED.
<input checked="" type="checkbox"/> Base	<input type="checkbox"/> Rover	NOTE: ELEV. 508.227 IS ORTHO HT. CALC. BY OPUS.
P/N: 01-840802-03	P/N: 01-840802-03	
S/N: 263-0243	S/N: 263-0233	
ID: 8QATEMNVCHS	ID: 8OKPW2V2RR4	

** ANTENNA HEIGHT **	Meters	Feet	NAD83 TXNC (4202)
Slant Height to ARP:	1.521	4.99	N = 6998683.62400
		4.88	E = 2552010.58495
Vertical Height to ARP:			Z = 508.22733
			CSF = 0.99985831
Meters = Feet x (0.3048) Height Entered into receiver : 1.4874 Meters.	Note: &/or sketch ANY unusual conditions. be Very Explicit as to where and how Measured .		

LOG Checked By:	Data File Name(s):	(standard NGS Format = aaaadds.xxx) aaa=4 character ID, ddd=Day of Year,
-----------------	--------------------	---



GPS 140, 2" BRASS DISK STAMPED 140, LOCATED ON N. BOUND SIDE OF BROADWAY BLVD. ON INLET TOP. APPROX. 90' S.E. OF BROADWAY BLVD & PALO ALTO CT C/L AND APPROX 43' N.E. OF BROADWAY BLVD. C/L.
 COG MAP GRID M-10MAPSCO 39A-D***

Table of Weather

Problem	Visibility	Temperature	Cloud Cover	Wind
NONE	CLEAR	70°	CLOUDY	5 - 10 MPH
Any obstructions above 10° ? <input type="checkbox"/> YES <input type="checkbox"/> NO		Radio Interference source nearby ?		<input type="checkbox"/> YES <input type="checkbox"/> NO

RPLS: GSB P.Chief: TG Field Tech: KW Field Tech: CW

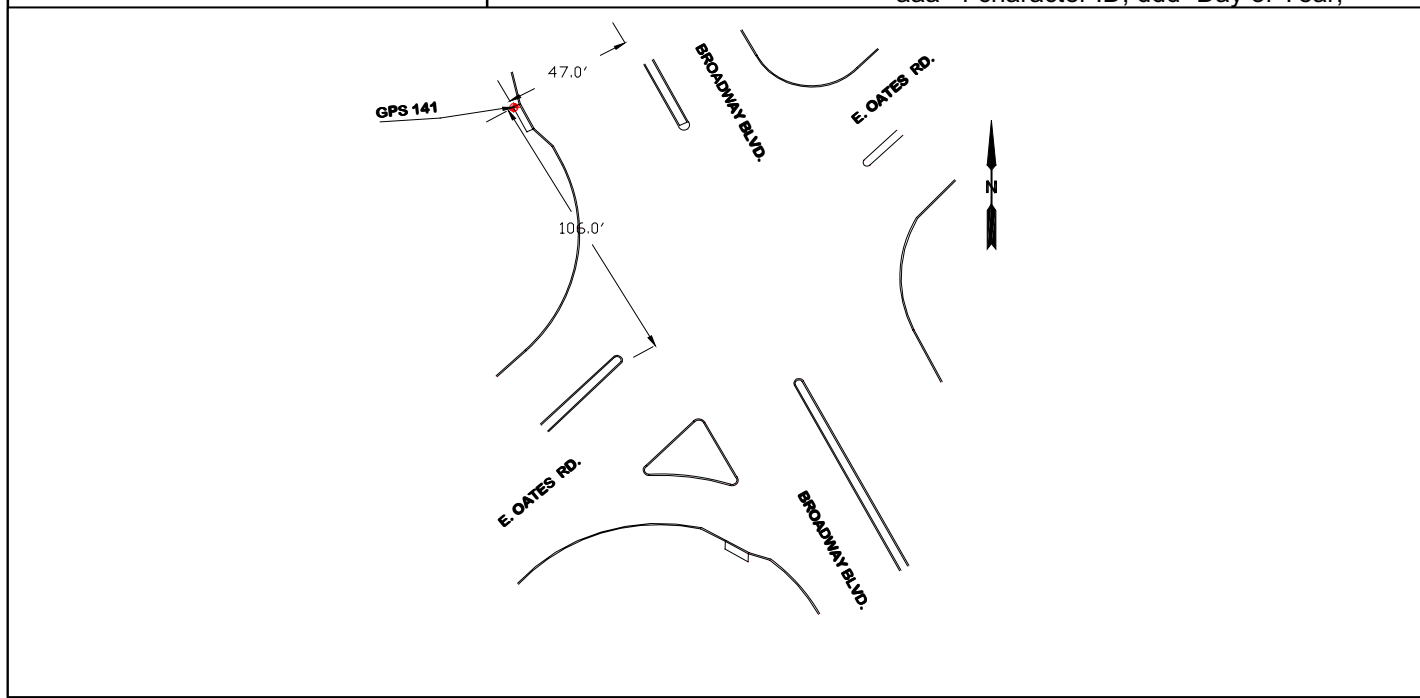
GPS Station Observation Log

Station Designation	Check applicable: <input checked="" type="checkbox"/> GEO. CNTRL. <input type="checkbox"/> Trav. PT. <input type="checkbox"/> BM	Station PID, if any:	DATE:
		GPS 141	6/2/2006
Project Name: Geodetic Monument	Project Number: GPS-141	Stat. 4-Char ID: _____	Day of Year: _____
NAD83 Latitude: 32 51 27.98441	NAD83 Longitude: 96 36 9.33784	Session ID: (A,B,C,etc.)	
Observation Session Time		128.819 ft./meters	
Sched. Start: _____ Stop: _____	NAVD88 Orthometric Height	Operator Full Name: Toney E. Gibson	
Actual Start: 8:35 AM Stop: 1:10 PM	154.624 ft./meters	Agency Full Name: City of Garland	
Epoch Interval = 5 Seconds	GEOID03 Geoid Height	Phone# (972) 205 - 2157	
Elevation Mask = _____ Degrees	ft./meters	E-mail: gbreysac@ci.garland.tx.us	

Receiver Brand & Model: Topcon Hiper Lite-Internal Antenna		Comments: 4 HRS. STATIC DATA RECORDED.
<input type="checkbox"/> Base	<input checked="" type="checkbox"/> Rover	NOTE: ELEV. 507.296 IS ORTHO HT. CALC. BY OPUS.
P/N: 01-840802-03	P/N: 01-840802-03	
S/N: 263-0243	S/N: 263-0233	
ID: 8QATEMNVCHS	ID: 8OKPW2V2RR4	

** ANTENNA HEIGHT **	Meters	Feet	NAD83 TXNC (4202)
Slant Height to ARP:	1.738	5.70	N = 7000265.25141
		5.59	E = 2551082.12552
Vertical Height to ARP:			Z = 507.29557
			CSF = 0.99985809
Meters = Feet x (0.3048) Height Entered into receiver : 1.7038 Meters.	Note: &/or sketch ANY unusual conditions. be Very Explicit as to where and how Measured .		

LOG Checked By:	Data File Name(s):	(standard NGS Format = aaaadds.xxx) aaa=4 character ID, ddd=Day of Year,
-----------------	--------------------	---



GPS 141, 2" BRASS DISK STAMPED 141, LOCATED ON INLET TOP @ N.W. COR. OF BROADWAY BLVD. & E. OATES RD INT. APPROX. 45' S.W. OF BROADWAY BLVD. C/L AND APPROX. 106' N.W. OF E. OATES RD C/L.
 COG MAP GRID M-10MAPSCO 29A-Z***

Table of Weather

Problem	Visibility	Temperature	Cloud Cover	Wind
NONE	CLEAR	70°	CLOUDY	5 - 10 MPH
Any obstructions above 10° ? <input type="checkbox"/> YES <input type="checkbox"/> NO		Radio Interference source nearby ?		<input type="checkbox"/> YES <input type="checkbox"/> NO

RPLS: GSB P.Chief: TG Field Tech: KW Field Tech: CW

GPS Station Observation Log

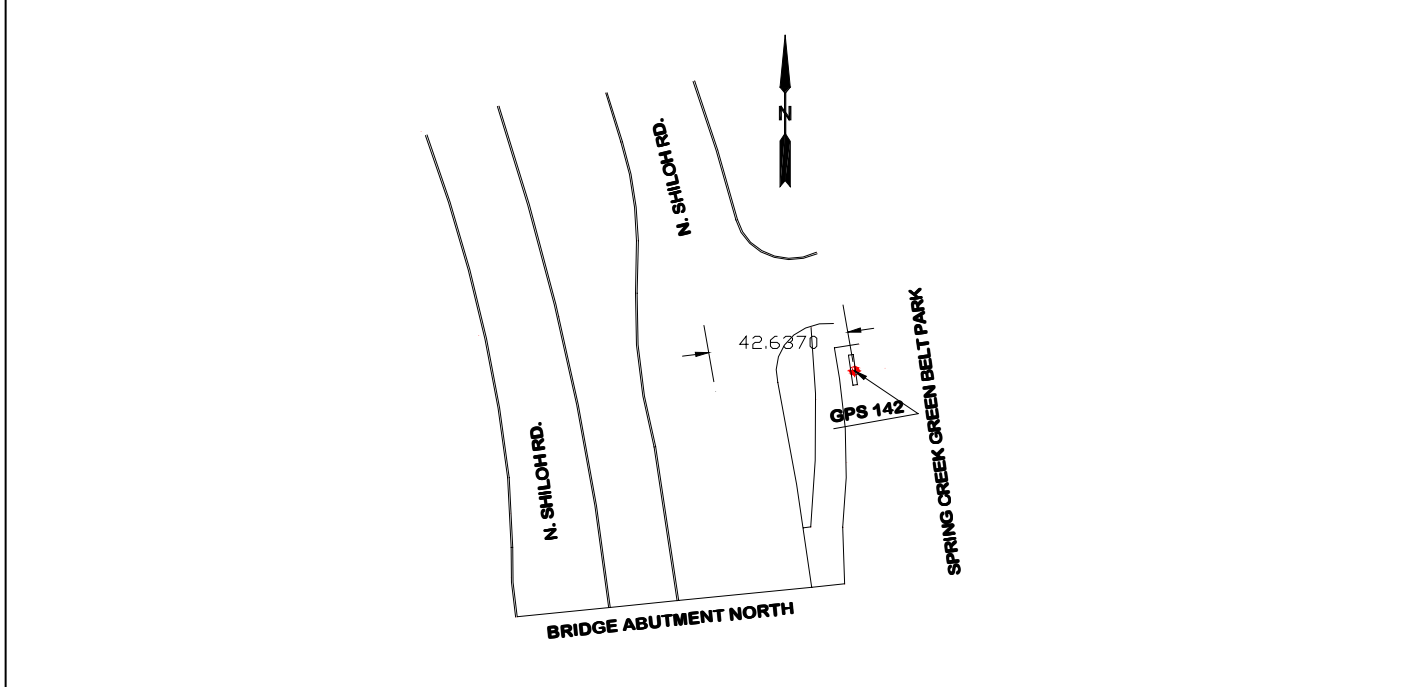
Station Designation	Check applicable: <input checked="" type="checkbox"/> GEO. CNTRL. <input type="checkbox"/> Trav. PT. <input type="checkbox"/> BM	Station PID, if any:	DATE:
		GPS 142	3/20/2007
Project Name: Geodetic Monument		Project Number: GPS- 142	
NAD83 Latitude: 32 58 12.69464		NAD83 Longitude: 96 39 50.92045	
Observation Session Time		138.938 ft./meters	
Sched. Start: _____ Stop: _____		NAVD88 Orthometric Height	
Actual Start: 9:30AM Stop: 2:00PM		164.869 ft./meters	
Epoch Interval = 5 Seconds		GEOID03 Geoid Height	
Elevation Mask = _____ Degrees		ft./meters	

Receiver Brand & Model: Topcon Hiper Lite-Internal Antenna		Comments 4 HRS. STATIC DATA RECORDED.	
<input checked="" type="checkbox"/> Base	<input type="checkbox"/> Rover	NOTE: ELEV. 540.91 IS ORTHO HT. CALC. BY OPUS.	
P/N: 01-840802-03	P/N: 01-840802-03		
S/N: 263-0243	S/N: 263-0233		
ID: 8QATEMNVCHS	ID: 8OKPW2V2RR4		

** ANTENNA HEIGHT **	Meters	Feet	NAD83 TXNC (4202)
Slant Height to ARP:	1.646	5.40	N = 7040822.41400
		5.29	E = 2531470.77400
Vertical Height to ARP:			Z = 540.908
			CSF = 0.99985182

Meters = Feet x (0.3048)	Note: &/or sketch ANY unusual conditions. be Very Explicit as to where and how Measured.
Height Entered into receiver : 1.6124 Meters.	

LOG Checked By:	Data File Name(s): (standard NGS Format = aaaaddds.xxx) aaa=4 character ID, ddd=Day of Year,
-----------------	---



GPS 142, 2" BRASS DISK STAMPED 142 LOCATED IN SIGN FOOTER, APPROX. 42.60' E. OF N. BOUND LANE SHILOH RD C/L @ SPRING CREEK GREENBELT PARK.

COG MAP GRID B-5MAPCSO 9-S***

Table of Weather

Problem	Visibility	Temperature	Cloud Cover	Wind
NONE	GOOD	70°	CLEAR	15 - 20 MPH
Any obstructions above 10° ? <input type="checkbox"/> YES <input type="checkbox"/> NO		Radio Interference source nearby ?		<input type="checkbox"/> YES <input type="checkbox"/> NO

RPLS: <u>GSB</u>	P.Chief: <u>TG</u>	Field Tech: <u>KW</u>	Field Tech: <u>CW</u>
------------------	--------------------	-----------------------	-----------------------

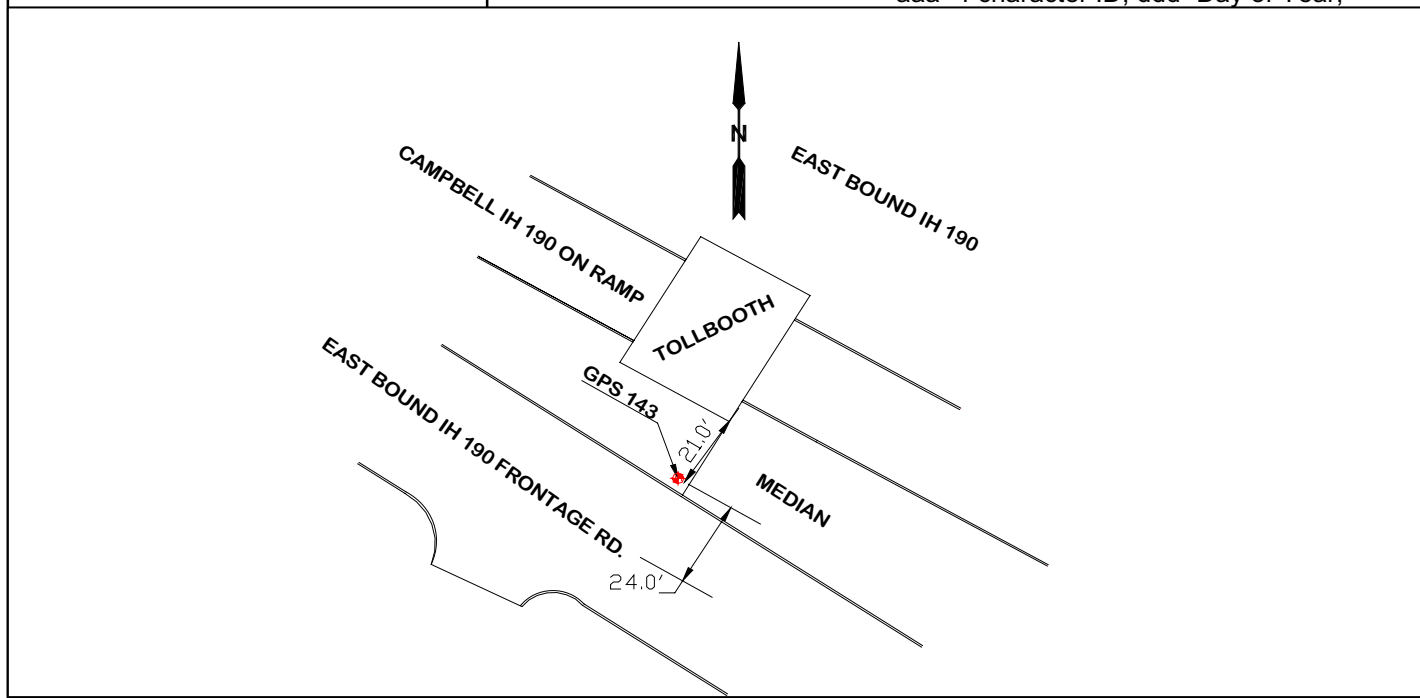
GPS Station Observation Log

Station Designation	Check applicable: <input checked="" type="checkbox"/> GEO. CNTRL. <input type="checkbox"/> Trav. PT. <input type="checkbox"/> BM	Station PID, if any:	DATE:
		GPS 143	7/7/2006
Project Name: Geodetic Monument	Project Number: GPS-143	Stat. 4-Char ID: _____	Day of Year: _____
NAD83 Latitude: 32 58 23.15582	NAD83 Longitude: 96 39 16.23645	Session ID: (A,B,C,etc.)	
Observation Session Time		151.242 ft./meters	
Sched. Start: _____ Stop: _____	NAVD88 Orthometric Height	Operator Full Name: Toney E. Gibson	
Actual Start: Stop:	177.142 ft./meters	Agency Full Name: City of Garland	
Epoch Interval = <u>10</u> Seconds	GEOID03 Geoid Height	Phone# (972) 205 - 2157	
Elevation Mask = _____ Degrees	ft./meters	E-mail: gbreysac@ci.garland.tx.us	

Receiver Brand & Model: Topcon Hiper Lite - Internal Antenna		Comments 4 HRS. STATIC DATA RECORDED.
<input type="checkbox"/> Base	<input checked="" type="checkbox"/> Rover	NOTE: ELEV. 581.17 IS ORTHO HT. CALC. BY OPUS.
P/N: 01-840802-03	P/N: 01-840802-03	
S/N: 263-0243	S/N: 263-0233	
ID: 8QATEMNVCHS	ID: 8OKPW2V2RR4	

** ANTENNA HEIGHT **	Meters	Feet	NAD83 TXNC (4202)
Slant Height to ARP:		-0.11	N = 7041931.20800
Vertical Height to ARP:		-0.0335	E = 2534406.33200
			Z = 581.173
			CSF = 0.99984982
Meters = Feet x (0.3048)	Note: &/or sketch ANY unusual conditions. be Very Explicit as to where and how Measured .		
Height Entered into receiver : -0.0335 Meters.			

LOG Checked By:	Data File Name(s):	(standard NGS Format = aaaadds.xxx) aaa=4 character ID, ddd=Day of Year,
-----------------	--------------------	---



GPS 143, 2" BRASS DISK STAMPED 143, LOCATED APPROX 24" N.E. OF IH 190 E. BOUND LANE FRONTAGE RD C/L AND APPROX 21' S. OF THE S.E. COR. OF CAMPBELL RD. ON RAMP TOLLBOOTH.

COG MAP GRID B-6MAPSCO 9-T***

Table of Weather

Problem	Visibility	Temperature	Cloud Cover	Wind
NONE	GOOD	°		
Any obstructions above 10° ? <input type="checkbox"/> YES <input type="checkbox"/> NO		Radio Interference source nearby ?		<input type="checkbox"/> YES <input type="checkbox"/> NO

RPLS: GSB P.Chief: TG Field Tech: KW Field Tech: CW

GPS Station Observation Log

Station Designation	Check applicable: <input checked="" type="checkbox"/> GEO. CNTRL. <input type="checkbox"/> Trav. PT. <input type="checkbox"/> BM	Station PID, if any:	DATE:
		GPS 144	7/23/2008
Project Name: Geodetic Monument		Project Number: GPS - 144	
NAD83 Latitude: 32 58 23.39235		NAD83 Ellipsoidal Height: 133.992 ft./meters	
NAD83 Longitude: 96 38 27.98224		Agency Full Name: City of Garland	
Observation Session Time		Operator Full Name: Toney E. Gibson	
Sched. Start: _____ Stop: _____		NAVD88 Orthometric Height: 159.850 ft./meters	
Actual Start: 9:33 AM Stop: 1:38 PM		Phone# (972) 205 - 2157	
Epoch Interval = 10 Seconds		GEOID03 Geoid Height	
Elevation Mask = _____ Degrees		E-mail: gbreysac@ci.garland.tx.us	

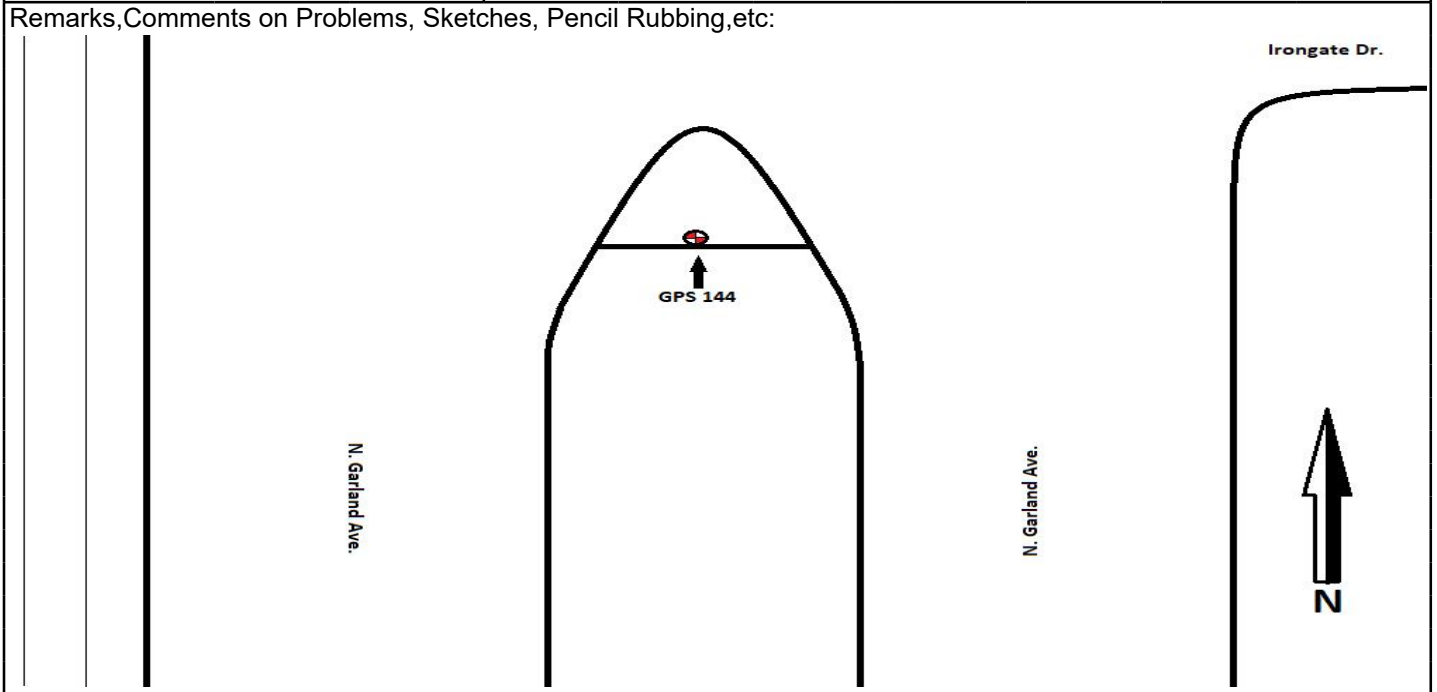
Receiver Brand & Model: Topcon Hiper Lite - Internal Antenna		Comments: 4 HRS. STATIC DATA RECORDED.
<input type="checkbox"/> Base	<input checked="" type="checkbox"/> Rover	NOTE: ELEV. 524.44 IS ORTHO HT. CALC. BY OPUS.
P/N: 01-840802-03	P/N: 01-840802-03	*NOTE: ELEV. 524.540* LEVEL FROM NGSCS 1337 (NAVD88)
S/N: 263-0243	S/N: 263-0233	
ID: 8QATEMNVCHS	ID: 8OKPW2V2RR4	UPDATED 10-7-19

** ANTENNA HEIGHT **	Meters	Feet	NAD83 TXNC (4202)
Slant Height to ARP:	1.628	5.340	N = 7042027.57600
		5.23	E = 2538515.70700
Vertical Height to ARP:	1.5941		Z = 524.540
			CSF = 0.99985253

Meters = Feet x (0.3048)
 Height Entered into receiver: 1.5941 Meters.

Note: &/or sketch **ANY** unusual conditions. be **Very Explicit** as to where and how **Measured**.

LOG Checked By:	Data File Name(s):	(standard NGS Format = aaaaddds.xxx) aaa=4 character ID, ddd=Day of Year,
-----------------	--------------------	--



2" BMON SET IN C/L NOSE OF MEDIAN N. GARLAND AVE @ ROYAL BIRKDALE DR.
 COG STREET GUIDE 3-E
 FB21 PG29

Table of Weather

Problem	Visibility	Temperature	Cloud Cover	Wind
NONE	GOOD	97°	CLEAR	0 - 5 MPH
Any obstructions above 10° ? <input type="checkbox"/> YES <input type="checkbox"/> NO		Radio Interference source nearby ?		<input type="checkbox"/> YES <input type="checkbox"/> NO

RPLS: GSB P.Chief: TG Field Tech: KW Field Tech: CW

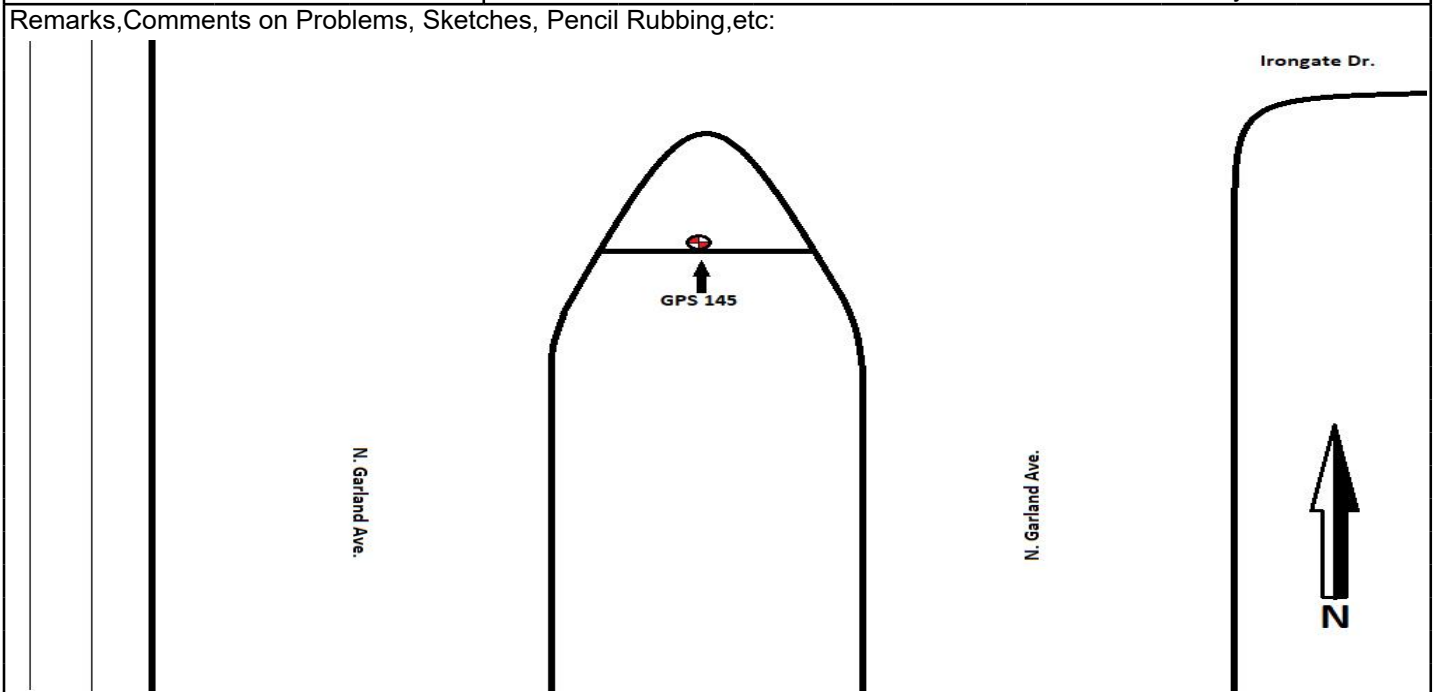
GPS Station Observation Log

Station Designation	Check applicable: <input checked="" type="checkbox"/> GEO. CNTRL. <input type="checkbox"/> Trav. PT. <input type="checkbox"/> BM	Station PID, if any:	DATE:
		GPS 145	7/23/2008
Project Name: Geodetic Monument		Project Number: GPS - 145	
NAD83 Latitude:	NAD83 Longitude:	Stat. 4-Char ID: _____	Day of Year: _____
32 58 40.01368	96 38 27.94861	Session ID: (A,B,C,etc.)	
Observation Session Time		Agency Full Name: City of Garland	
		133.129 ft./meters	
Sched. Start: _____ Stop: _____	NAVD88 Orthometric Height		Operator Full Name: Toney E. Gibson
Actual Start: 9:40 AM Stop: 1:45 PM	158.985 ft./meters		
Epoch Interval = 10 Seconds	GEOID03 Geoid Height		Phone# (972) 205 - 2157
Elevation Mask = _____ Degrees			E-mail: gbreysac@ci.garland.tx.us
		ft./meters	

Receiver Brand & Model: Topcon Hiper Lite - Internal Antenna		Comments: 4 HRS. STATIC DATA RECORDED.
<input checked="" type="checkbox"/> Base	<input type="checkbox"/> Rover	NOTE: ELEV. 521.60 IS ORTHO HT. CALC. BY OPUS.
P/N: 01-840802-03	P/N: 01-840802-03	*NOTE: ELEV. 521.72* LEVEL FROM NGSCS 1337 (NAVA88)
S/N: 263-0243	S/N: 263-0233	
ID: 8QATEMNVCHS	ID: 8OKPW2V2RR4	UPDATED 10-7-19

** ANTENNA HEIGHT **	Meters	Feet	NAD83 TXNC (4202)
Slant Height to ARP:	1.631	5.350	N = 7043707.09400
		5.24	E = 2538488.85000
Vertical Height to ARP:	1.5972		Z = 521.720
			CSF = 0.99985255
Meters = Feet x (0.3048)	Note: &/or sketch ANY unusual conditions. be Very Explicit as to where and how Measured .		
Height Entered into receiver: 1.5972 Meters.			

LOG Checked By:	Data File Name(s):	(standard NGS Format = aaaaddds.xxx) aaa=4 character ID, ddd=Day of Year,
-----------------	--------------------	--



2" BMON SET IN CONC C/L NOSE OF MEDIAN N. GARLAND AVE @ IRON GATE DR.
 COG STREET GUIDE 3-B
 FB21 PG29

Table of Weather

Problem	Visibility	Temperature	Cloud Cover	Wind
NONE	GOOD	97°	CLEAR	0 - 5 MPH
Any obstructions above 10° ? <input type="checkbox"/> YES <input type="checkbox"/> NO		Radio Interference source nearby ?		<input type="checkbox"/> YES <input type="checkbox"/> NO

RPLS: GSB P.Chief: TG Field Tech: KW Field Tech: CW

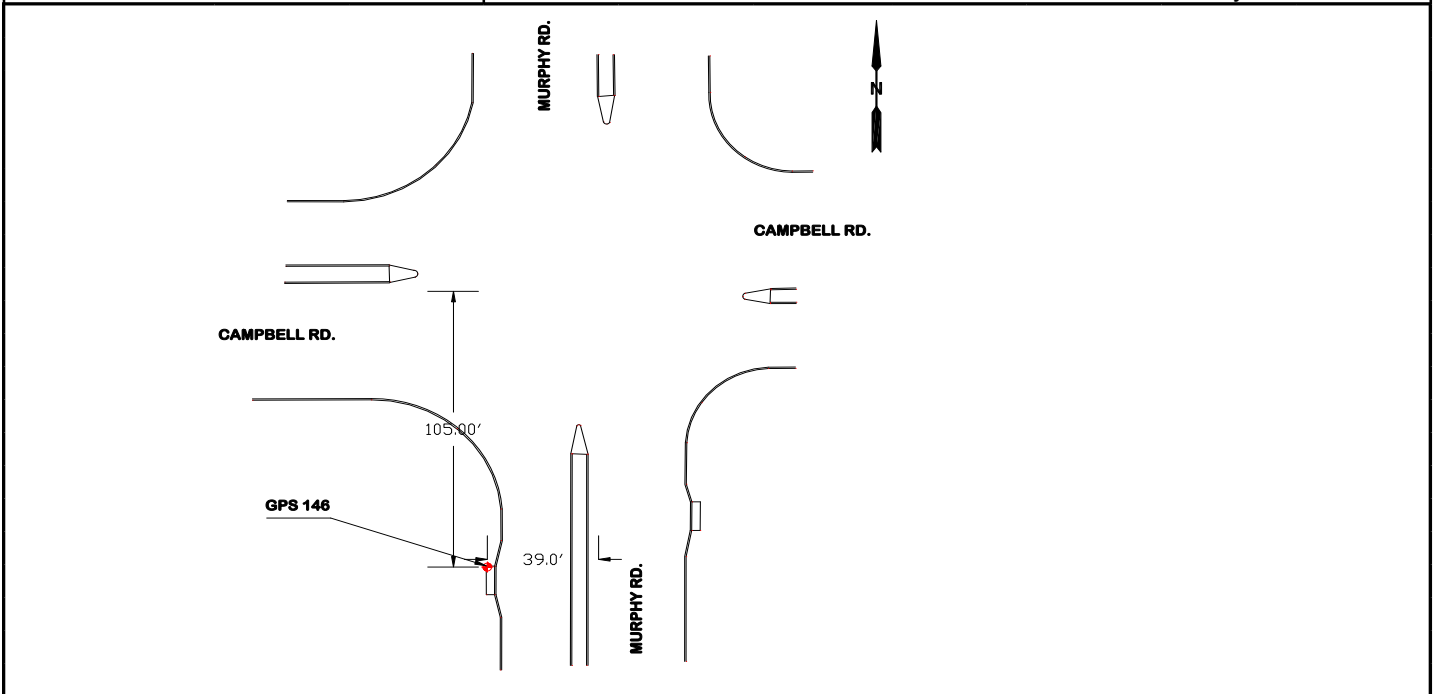
GPS Station Observation Log

Station Designation	Check applicable: <input checked="" type="checkbox"/> GEO. CNTRL. <input type="checkbox"/> Trav. PT. <input type="checkbox"/> BM	Station PID, if any: GPS 146	DATE: 1/13/2008
Project Name: Geodetic Monument	Project Number: GPS - 146	Stat. 4-Char ID: _____	Day of Year: _____
NAD83 Latitude: 32 58 55.02187	NAD83 Longitude: 96 36 48.59317	NAD83 Ellipsoidal Height 142.633 ft./meters	Session ID: (A,B,C,etc.)
Observation Session Time		Agency Full Name: City of Garland	
Sched. Start: _____ Stop: _____	NAVD88 Orthometric Height 168.409 ft./meters	Operator Full Name: Toney E. Gibson	
Actual Start: 9:40 AM Stop: 1:45 PM	Epoch Interval = 10 Seconds	GEOID03 Geoid Height	
Elevation Mask = _____ Degrees		Phone# (972) 205 - 2157	
		E-mail: gbreysac@ci.garland.tx.us	

Receiver Brand & Model: Topcon Hiper Lite - Internal Antenna		Comments: 4 HRS. STATIC DATA RECORDED.
<input checked="" type="checkbox"/> Base	<input type="checkbox"/> Rover	NOTE: ELEV. 552.52 IS ORTHO HT. CALC. BY OPUS.
P/N: 01-840802-03	P/N: 01-840802-03	
S/N: 263-0243	S/N: 263-0233	
ID: 8QATEMNVCHS	ID: 8OKPW2V2RR4	

** ANTENNA HEIGHT **	Meters	Feet	NAD83 TXNC (4202)
Slant Height to ARP:	1.552	5.090	N = 7045374.41400
		4.98	E = 2546923.21300
Vertical Height to ARP:	1.5179		Z = 552.522
			CSF = 0.99985097
Meters = Feet x (0.3048) Height Entered into receiver: 1.5179 Meters.	Note: &/or sketch ANY unusual conditions. be Very Explicit as to where and how Measured .		

LOG Checked By:	Data File Name(s): (standard NGS Format = aaaaddds.xxx) aaa=4 character ID, ddd=Day of Year,
-----------------	---



GPS 146, 2" BRASS DISK, STAMPED 146, LOCATED ON INLET TOP APPROX. 39' W. OF MURPHY RD. C/L & APPROX. 105' S. OF CAMPBELL RD. C/L @ CAMPBELL RD & MURPHY RD. INTERSECTION.
 COG STREET GUIDE 4-AMAPSCO 9A-Q***CHK 11-28-18

Table of Weather

Problem	Visibility	Temperature	Cloud Cover	Wind
NONE	GOOD	40°	CLEAR	10 - 15 MPH
Any obstructions above 10° ? <input type="checkbox"/> YES <input type="checkbox"/> NO		Radio Interference source nearby ?		<input type="checkbox"/> YES <input type="checkbox"/> NO

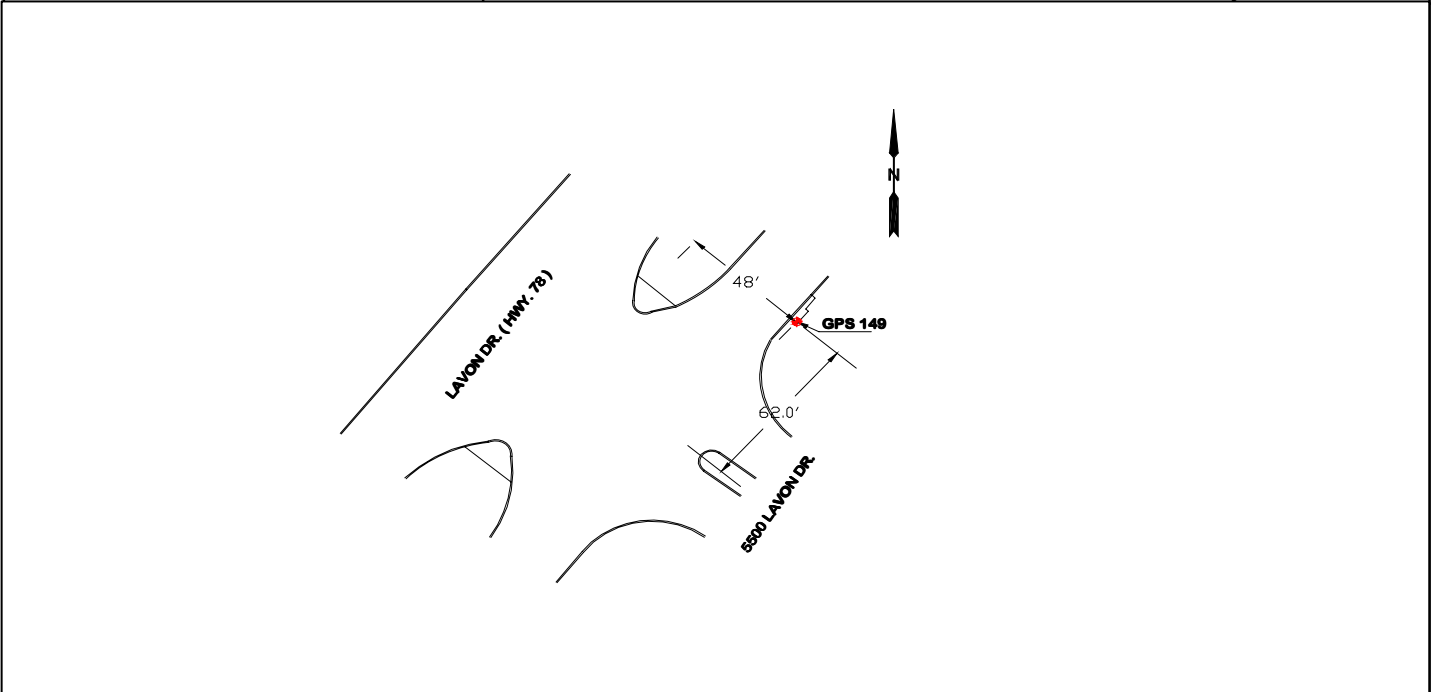
RPLS: GSB P.Chief: TG Field Tech: KW Field Tech: CW

GPS Station Observation Log

Station Designation	Check applicable: <input checked="" type="checkbox"/> GEO. CNTRL. <input type="checkbox"/> Trav. PT. <input type="checkbox"/> BM	Station PID, if any:	DATE:
		GPS 149	3/13/2007
Project Name: Geodetic Monument	Project Number: GPS-149	Stat. 4-Char ID: _____	Day of Year: _____
NAD83 Latitude: 32 58 00.20901	NAD83 Longitude: 96 36 33.43419	Session ID: (A,B,C,etc.)	
Observation Session Time		Agency Full Name: City of Garland	
Sched. Start: _____ Stop: _____		Operator Full Name: Toney E. Gibson	
Actual Start: 11:05 AM Stop: 3:10 PM		Phone# (972) 205 - 2157	
Epoch Interval = <u>10</u> Seconds		E-mail: gbreysac@ci.garland.tx.us	
Elevation Mask = _____ Degrees		E-mail: gbreysac@ci.garland.tx.us	
Receiver Brand & Model: Topcon Hiper Lite-Internal Antenna		Comments: 4 HRS. STATIC DATA RECORDED.	
<input type="checkbox"/> Base	<input checked="" type="checkbox"/> Rover	NOTE: ELEV. 516.87 IS ORTHO HT. CALC. BY OPUS.	
P/N: 01-840802-03	P/N: 01-840802-03		
S/N: 263-0243	S/N: 263-0233		
ID: 8QATEMNVCHS	ID: 8OKPW2V2RR4		

** ANTENNA HEIGHT **	Meters	Feet	NAD83 TXNC (4202)
Slant Height to ARP:	1.562	5.12	N = 7039859.203
		5.01	E = 2548313.851
Vertical Height to ARP:		1.5270	Z = 516.869
			CSF = 0.99985303
Meters = Feet x (0.3048) Height Entered into receiver : 1.5270 Meters.	Note: &/or sketch ANY unusual conditions. be Very Explicit as to where and how Measured .		

LOG Checked By:	Data File Name(s):	(standard NGS Format = aaaaddds.xxx) aaa=4 character ID, ddd=Day of Year,
-----------------	--------------------	--



GPS 149, 2" BRASS DISK STAMPED 149, LOCATED ON INLET TOP @ THE N.E. COR. INT. OF 5500 LAVON DR & LAVON DR (HWY 78). APPROX. 62' N.E. OF 5500 LAVON DR C/L & APPROX. 48' S.E. OF LAVON DR (HWY 78) C/L.
 COG MAP GRID B-9MAPSCO 9A-Y***

Table of Weather

Problem	Visibility	Temperature	Cloud Cover	Wind
NONE	GOOD	70°	P/ CLOUDY	5 - 10 MPH
Any obstructions above 10° ? <input type="checkbox"/> YES <input type="checkbox"/> NO		Radio Interference source nearby ?		<input type="checkbox"/> YES <input type="checkbox"/> NO

RPLS: GSB P.Chief: TG Field Tech: KW Field Tech: CW

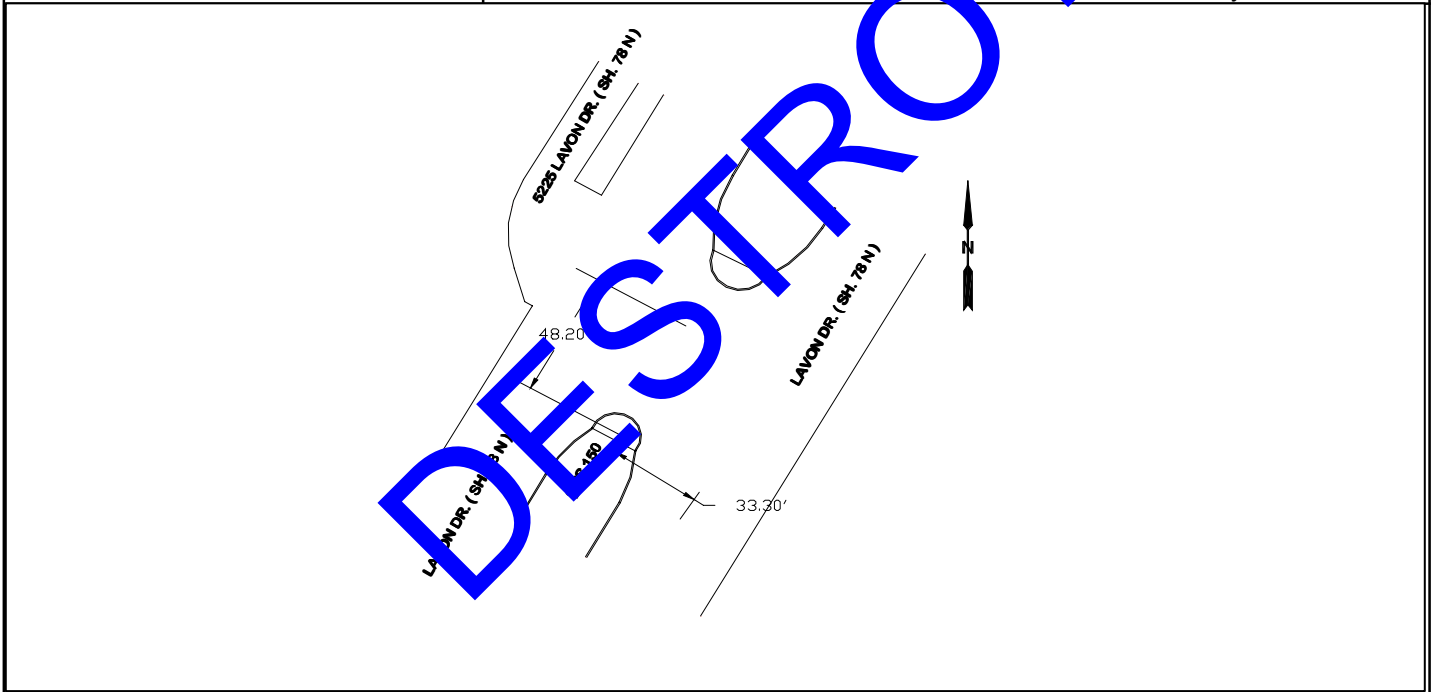
GPS Station Observation Log

Station Designation	Check applicable: <input checked="" type="checkbox"/> GEO. CNTRL. <input type="checkbox"/> Trav. PT. <input type="checkbox"/> BM	Station PID, if any:	DATE:
		GPS 150	3/15/2007
Project Name: Geodetic Monument		Project Number: GPS- 150	
NAD83 Latitude: 32 57 47.58801		NAD83 Longitude: 96 36 44.03250	
Observation Session Time		124.105 ft./meters	
Sched. Start: _____ Stop: _____		NAVD88 Orthometric Height	
Actual Start: 9:00 AM Stop: 1:05 PM		149.884 ft./meters	
Epoch Interval = 10 Seconds		GEOID03 Geoid Height	
Elevation Mask = _____ Degrees		ft./meters	

Receiver Brand & Model: Topcon Hiper Lite-Internal Antenna		Comments: 4 HRS. STATIC DATA RECORDED.	
<input type="checkbox"/> Base	<input checked="" type="checkbox"/> Rover	NOTE: ELEV. 491.74 IS ORTHO HT. CALC. BY OPUS.	
P/N: 01-840802-03	P/N: 01-840802-03		
S/N: 263-0243	S/N: 263-0233		
ID: 8QATEMNVCHS	ID: 8OKPW2V2RR4		

** ANTENNA HEIGHT **	Meters	Feet	NAD83 BYNC (4202)
Slant Height to ARP:	1.656	5.435	N = 703856.71100
		5.325	E = 154743.05400
Vertical Height to ARP:			Z = 491.74
			CSF = 0.99985432
Meters = Feet x (0.3048)	Note: &/or sketch ANY unusual conditions, be Very Explicit as to where and how Measured.		
Height Entered into receiver : 1.6231 Meters.			

LOG Checked By:	Data File Name(s): (standard GS Format = aaaaddds.xxx) 4 character ID, ddd=Day of Year,
-----------------	--



GPS 150, 2" BRASS DISK STAMPED 150, LOCATED IN MEDIAN NOSE APPROX. 33' N.E. OF N. BOUND LAVON DR. C/L & APPROX. 48' S.W. 5225 LAVON DR. DRIVEWAY C/L.
 COG MAP GRID C-9MAPSCO 9A-Y***

Table of Weather				
Problem	Visibility	Temperature	Cloud Cover	Wind
NONE	GOOD	60°	CLEAR	5 - 10 MPH
Any obstructions above 10° ? <input type="checkbox"/> YES <input type="checkbox"/> NO		Radio Interference source nearby ?		<input type="checkbox"/> YES <input type="checkbox"/> NO

RPLS: GSB P.Chief: TG Field Tech: KW Field Tech: CW